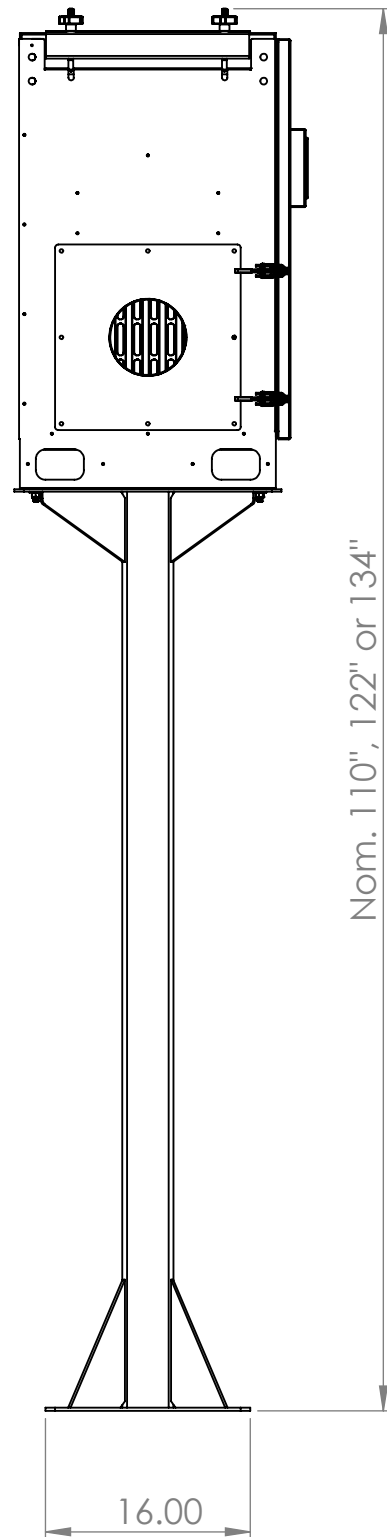


**Note:**

Allow adequate clearance to ceiling for discharge air  
Minimum 12"

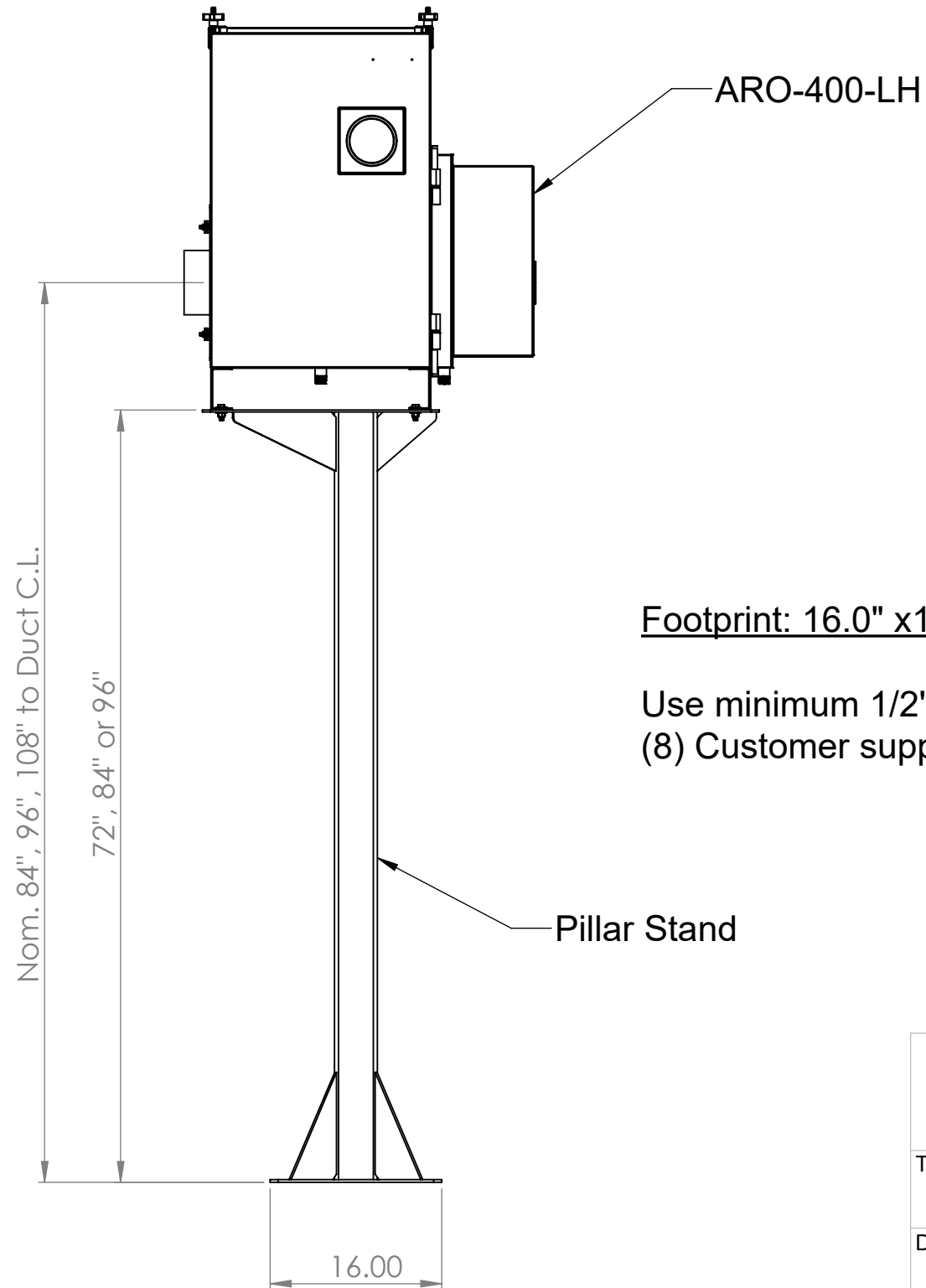


**Note:**

Allow minimum 30" clearance on door side for filter changes

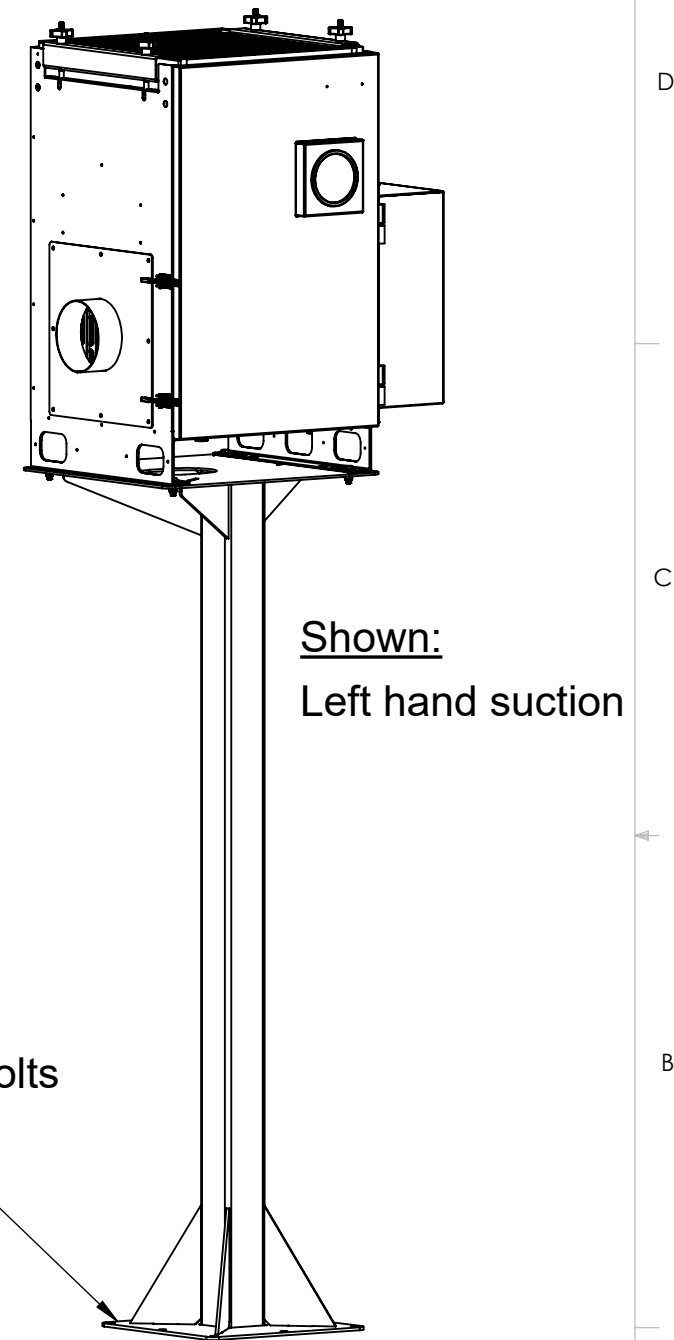
**Note:**

Unit must be installed on the Pillar Stand in the orientation shown



Footprint: 16.0" x 16.0"

Use minimum 1/2" Anchor Bolts  
(8) Customer supply



**AEROEX** Aeroex Technologies Inc.  
 17 Hamilton Road  
 Barrie, On L4N 8Y6  
 Tel. 705-734-0199

Title: Pillar Stand ARO-400-D

Dwg. No.	099AMP-0001-XD	Size	<b>B</b>
----------	----------------	------	----------

Date:	Jan. 22, 2019	Drawn:	T.B.	Do not scale drawing	Sheet 1 of 1
-------	---------------	--------	------	----------------------	--------------