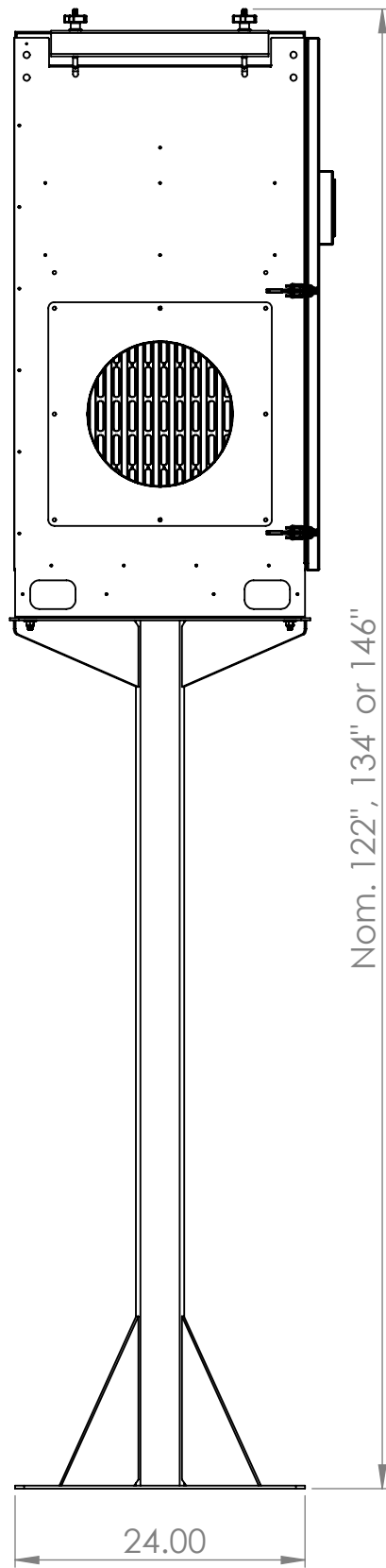


Note:

Allow adequate clearance to ceiling for discharge air
Minimum 12"

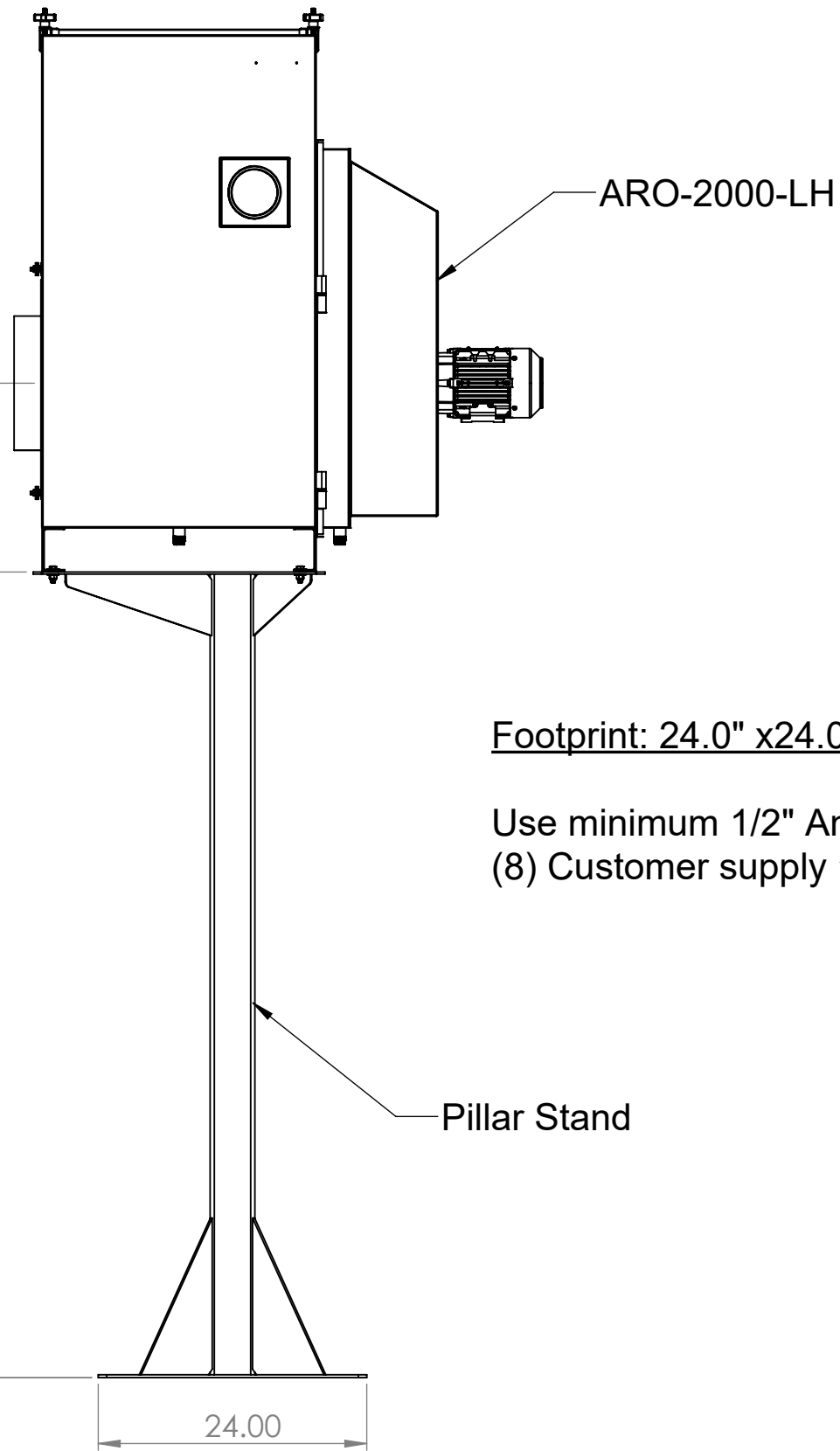


Note:

Allow minimum 30" clearance on door side for filter changes

Note:

Unit must be installed on the Pillar Stand in the orientation shown

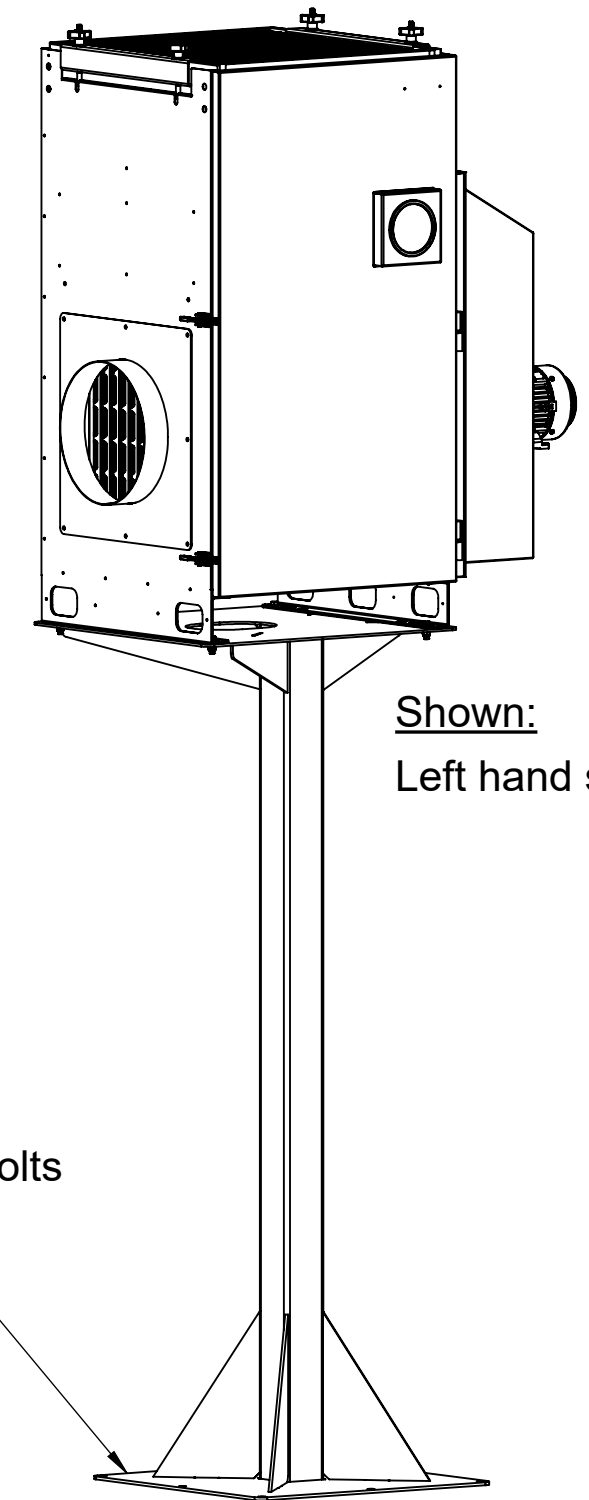


ARO-2000-LH

Footprint: 24.0" x24.0"

Use minimum 1/2" Anchor Bolts
(8) Customer supply

Pillar Stand



Shown:
Left hand suction

AEROEX Aeroex Technologies Inc.
17 Hamilton Road
Barrie, On L4N 8Y6
Tel. 705-734-0199

Title: Pillar Stand ARO-2000-D

Dwg. No. 099AMP-0002-XD

Size **B**

Date: Jan. 22, 2019 Drawn: T.B. Do not scale drawing Sheet 1 of 1