

Note:

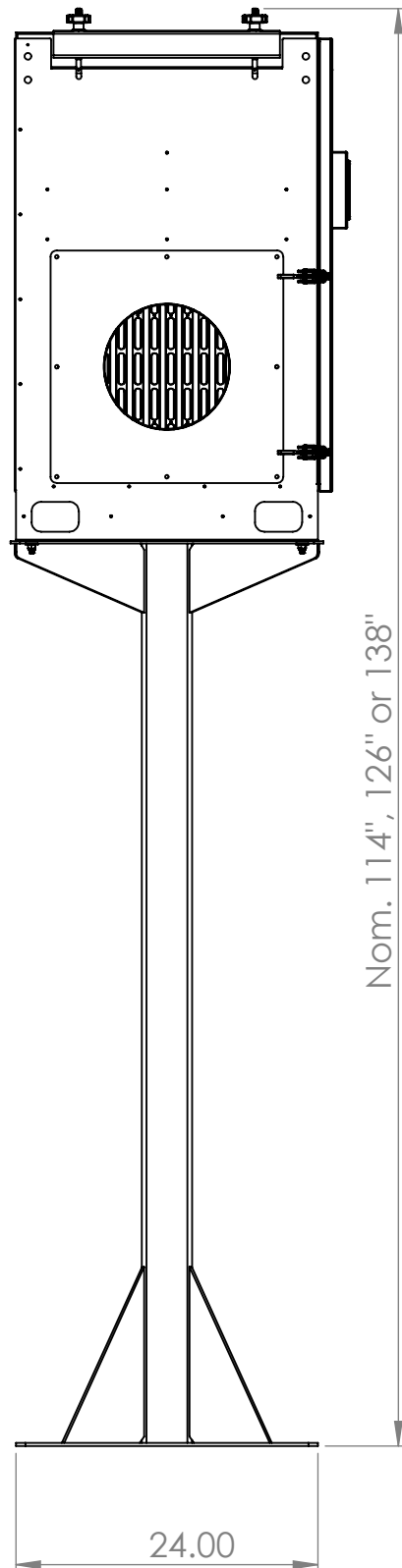
Allow adequate clearance to ceiling for discharge air
Minimum 12"

D

C

B

A



Nom. 114", 126" or 138"

24.00

Note:

Unit must be installed on the Pillar Stand in the orientation shown

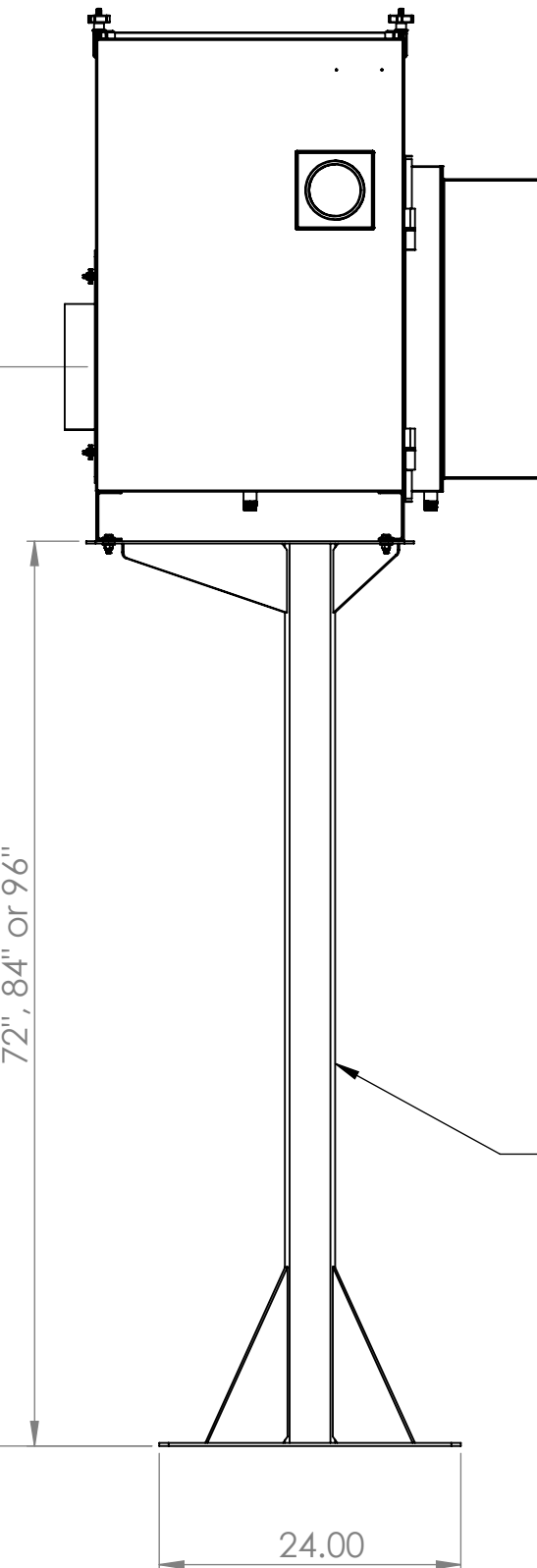
Note:

Allow minimum 30" clearance on door side for filter changes

Nom. 86", 98" or 110" to Duct C.L.

72", 84" or 96"

24.00

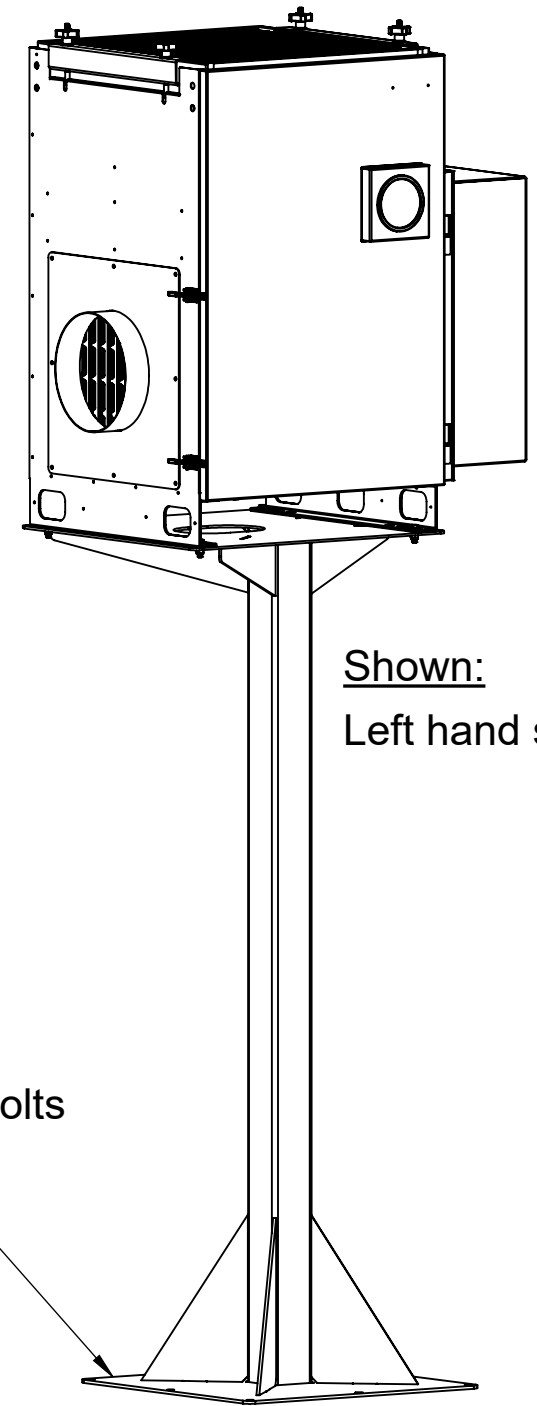


Pillar Stand

ARO-1100-LH

Footprint: 24.0" x24.0"

Use minimum 1/2" Anchor Bolts
(8) Customer supply



Shown:
Left hand suction

D

C

B

A



Aeroex Technologies Inc.
17 Hamilton Road
Barrie, On L4N 8Y6
Tel. 705-734-0199

Title:

Pillar Stand ARO-1100-D

Dwg. No.

099AMP-0002-XD

Size

B

Date: Jan. 22, 2019

Drawn: T.B.

Do not scale drawing

Sheet 1 of 1

8

7

6

5

4

3

2

1