

Chip Strainer 8in Standard
099ACS-0005-XB

Machine Wall

Machine Adaptor 8in
099AMS-0008-XB

Hex Bolt 1/4"-20 (x6)

Hex Nut 1/4"-20 (x6)

Fasten Chip Strainer using 2 bolts

Optional: outside mounting holes

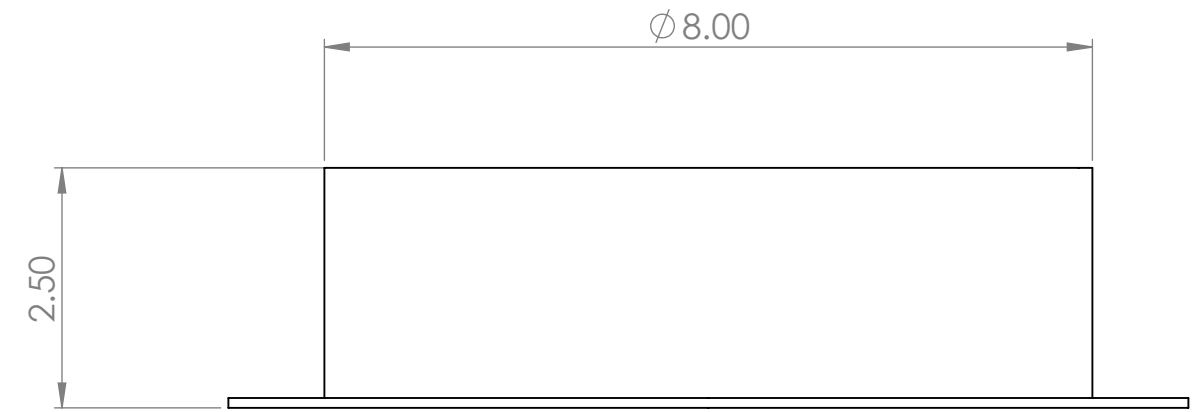
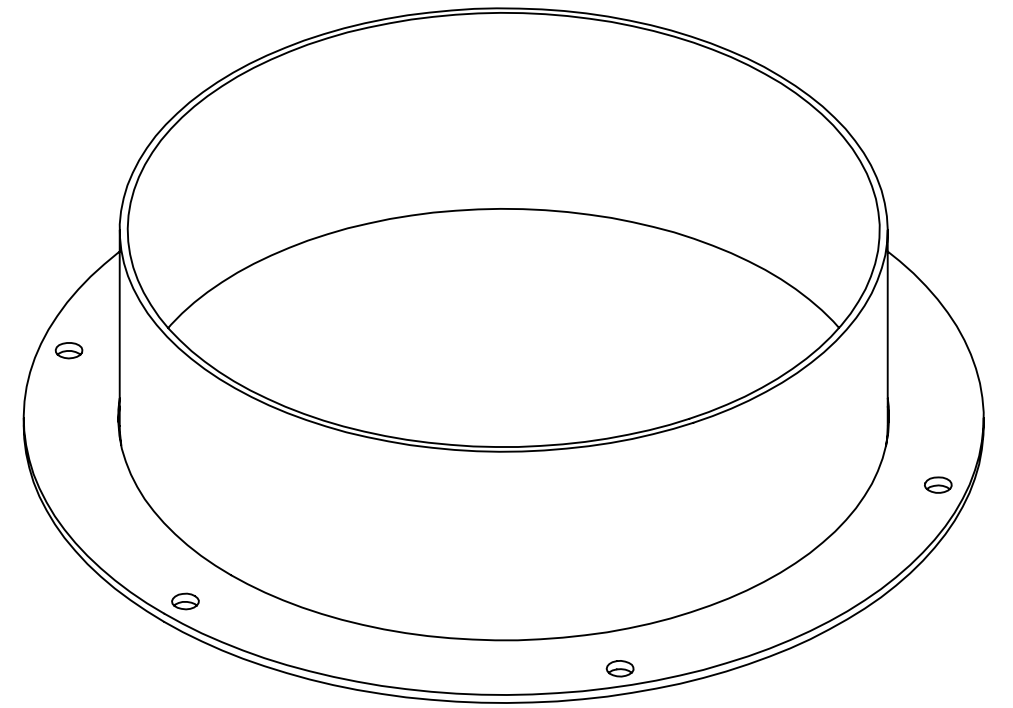
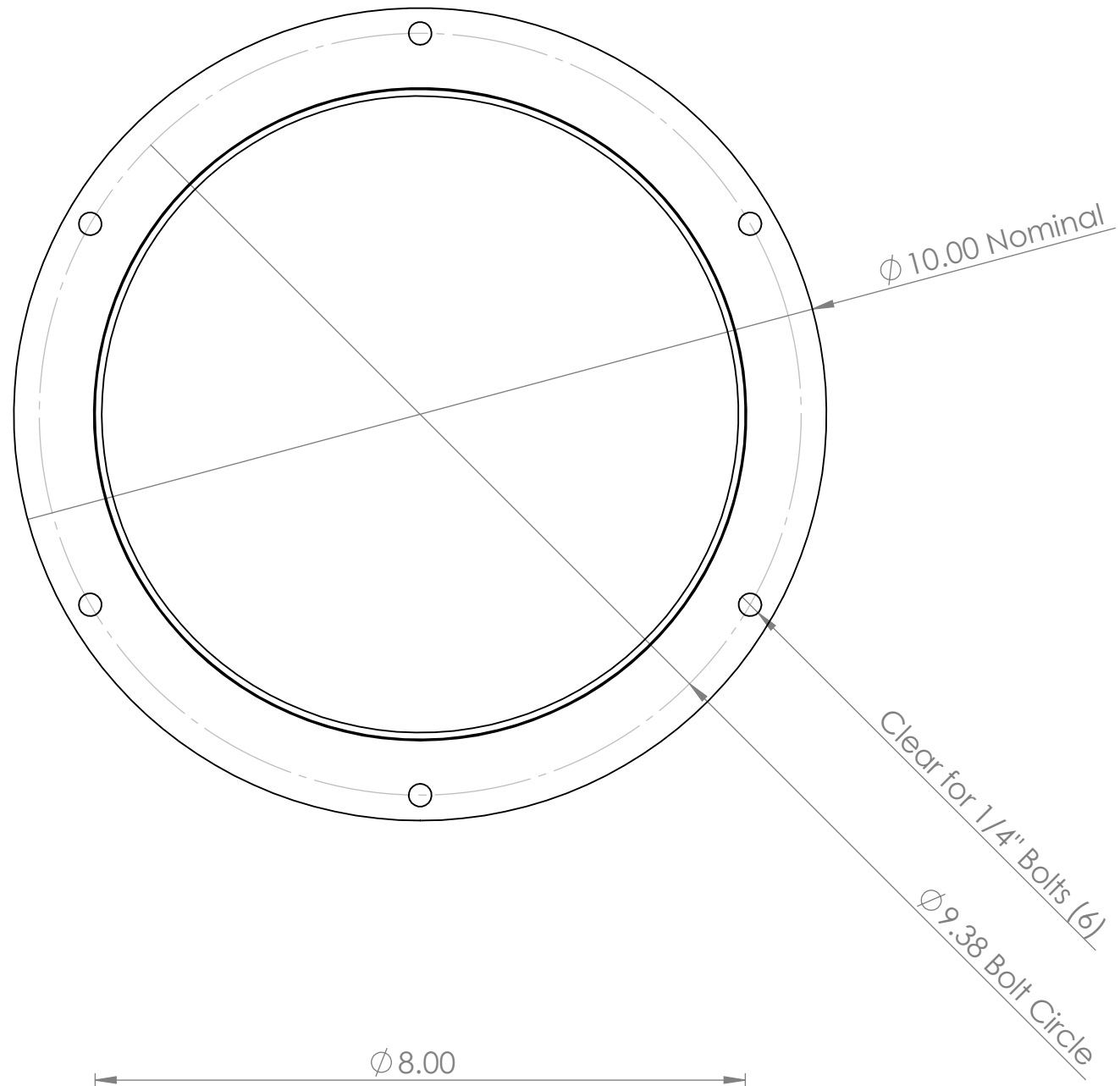
Cut a 8 inch diameter hole

Drill clearance holes for 1/4" bolts
(on a 9 3/8" bolt circle)



Aeroex Technologies Inc.
17 Hamilton Road
Barrie, On L4N 8Y6
Tel. 705-734-0199

Title: Machine Adaptor & Chip Strainer			
Dwg. No. Installation 8in std			Size B
Date: January 19, 2019	Drawn: T.B.	Do not scale drawing	Sheet 1 of 1

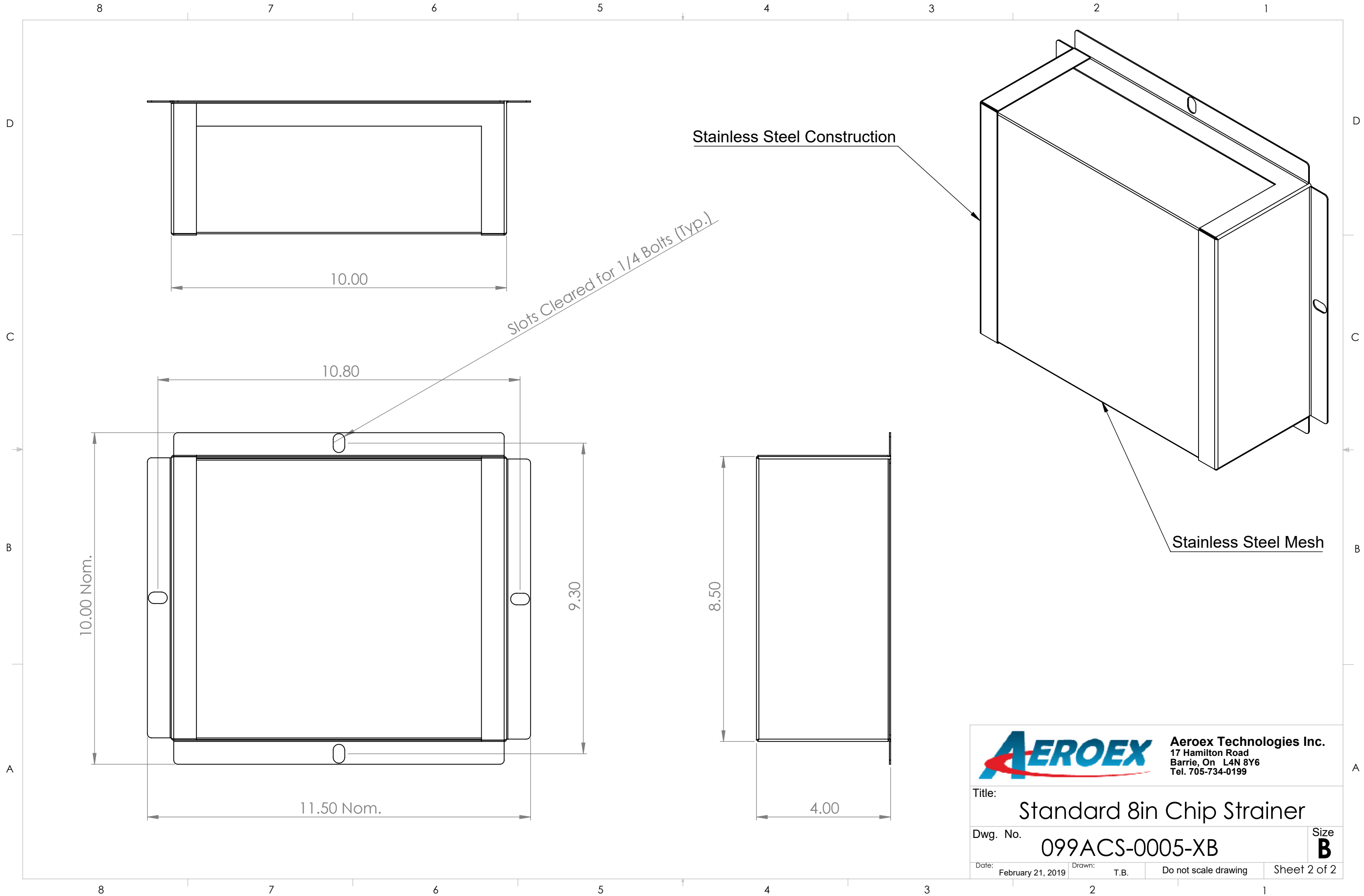



Aeroex Technologies Inc.
 17 Hamilton Road
 Barrie, On L4N 8Y6
 Tel. 705-734-0199

Title: Machine Adaptor 8in

Dwg. No. 099AMS-0008-XB Size **B**

Date: October 17, 2018	Drawn: T.B.	Do not scale drawing	Sheet 2 of 2
------------------------	-------------	----------------------	--------------



		Aeroex Technologies Inc. 17 Hamilton Road Barrie, On L4N 8Y6 Tel. 705-734-0199	
Title: Standard 8in Chip Strainer			
Dwg. No. 099ACS-0005-XB		Size B	
Date: February 21, 2019	Drawn: T.B.	Do not scale drawing	Sheet 2 of 2