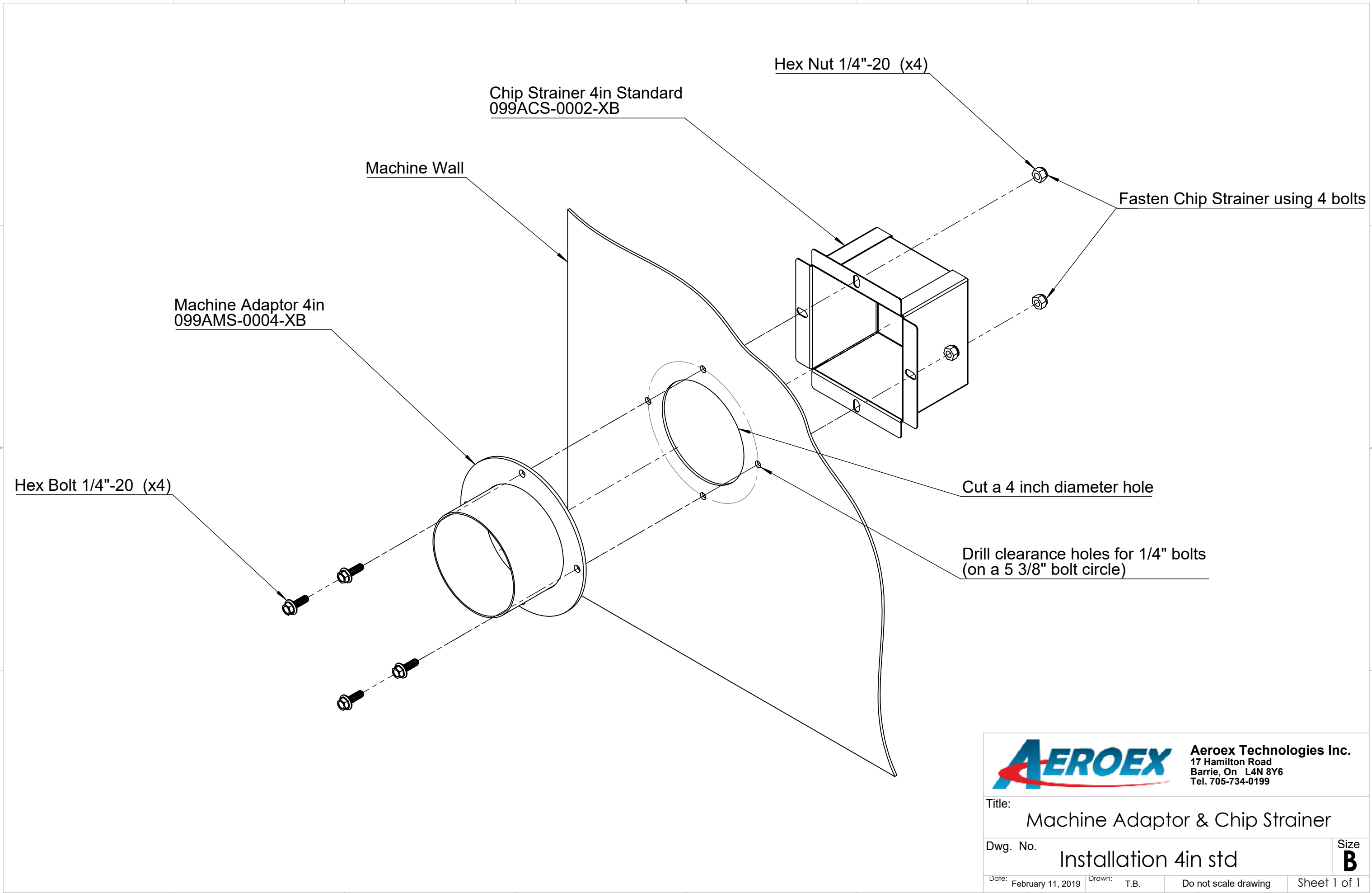


8 7 6 5 4 3 2 1

D
C
B
A



Chip Strainer 4in Standard
099ACS-0002-XB

Machine Wall

Machine Adaptor 4in
099AMS-0004-XB

Hex Bolt 1/4"-20 (x4)

Hex Nut 1/4"-20 (x4)

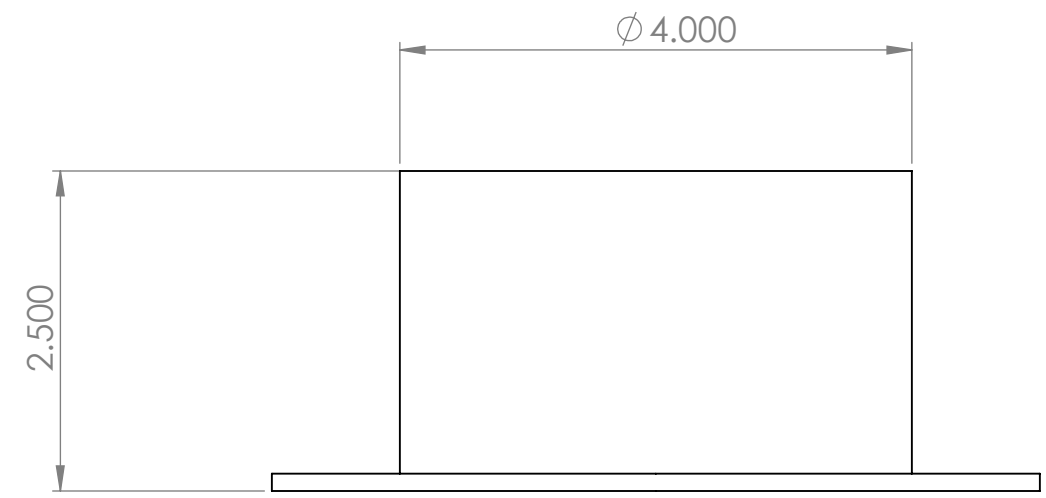
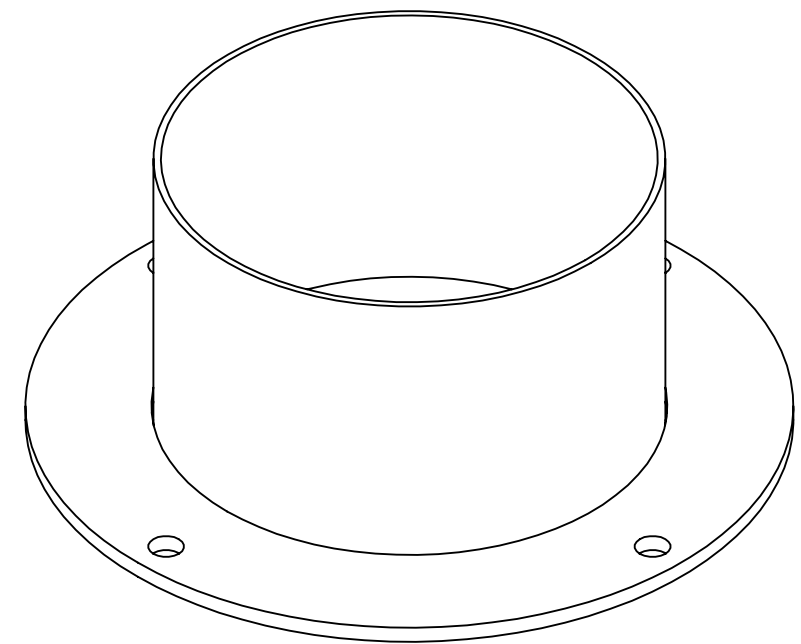
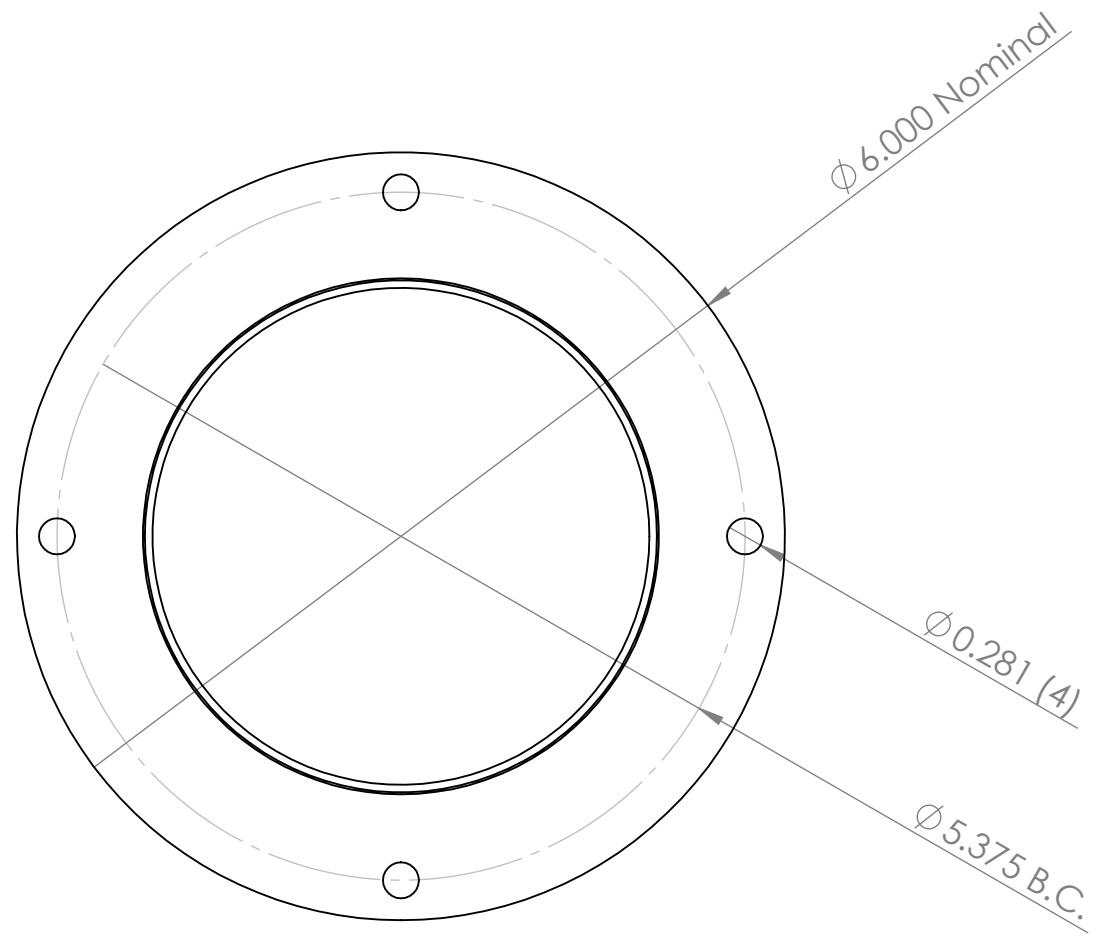
Fasten Chip Strainer using 4 bolts


Cut a 4 inch diameter hole

Drill clearance holes for 1/4" bolts
(on a 5 3/8" bolt circle)

		Aeroex Technologies Inc. 17 Hamilton Road Barrie, On L4N 8Y6 Tel. 705-734-0199	
Title: Machine Adaptor & Chip Strainer			
Dwg. No. Installation 4in std			Size B
Date: February 11, 2019	Drawn: T.B.	Do not scale drawing	Sheet 1 of 1

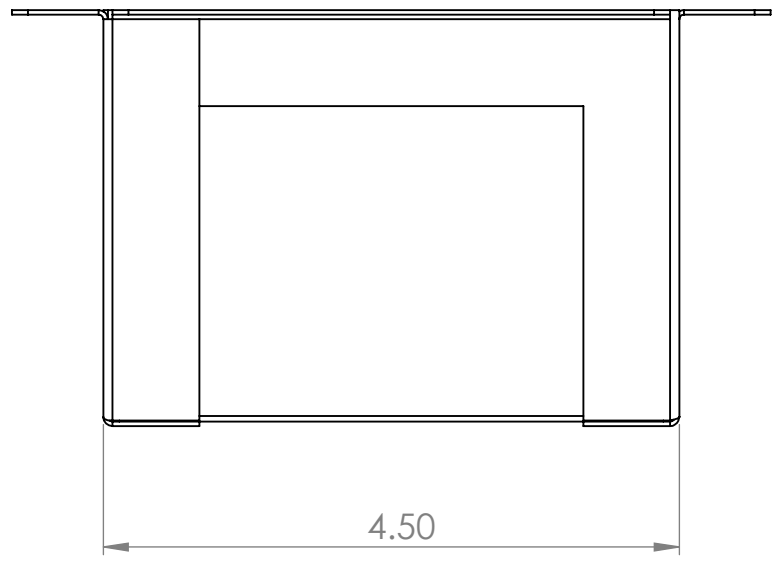
8 7 6 5 4 3 2 1



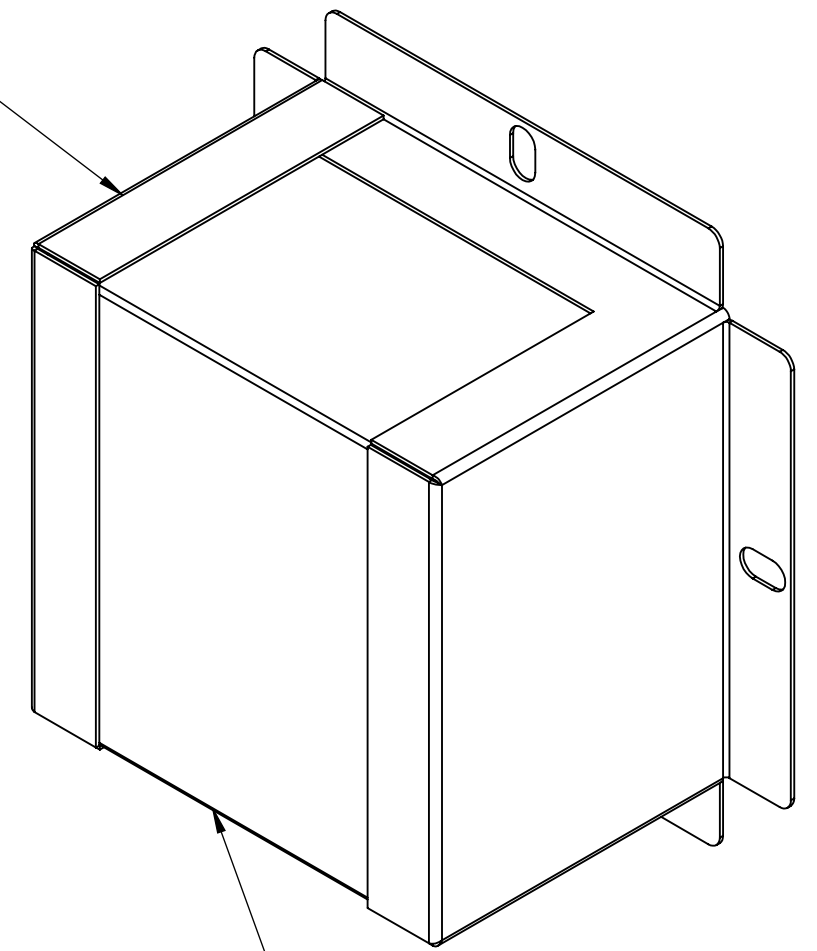
		Aeroex Technologies Inc. 17 Hamilton Road Barrie, On L4N 8Y6 Tel. 705-734-0199	
Title: Machine Adaptor 4in			
Dwg. No. 099AMS-0004-XB		Size B	
Date: February 11, 2019	Drawn: T.B.	Do not scale drawing	Sheet 2 of 2

8 7 6 5 4 3 2 1

D
C
B
A

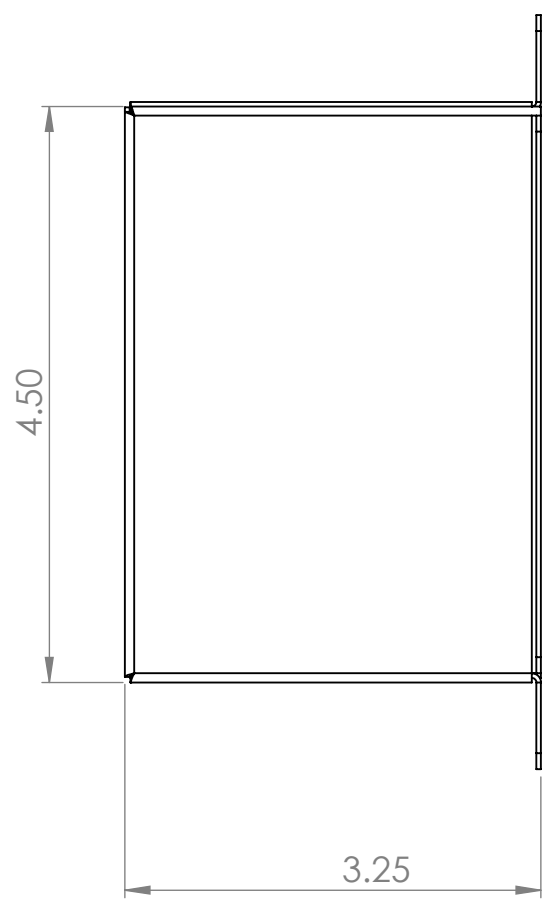
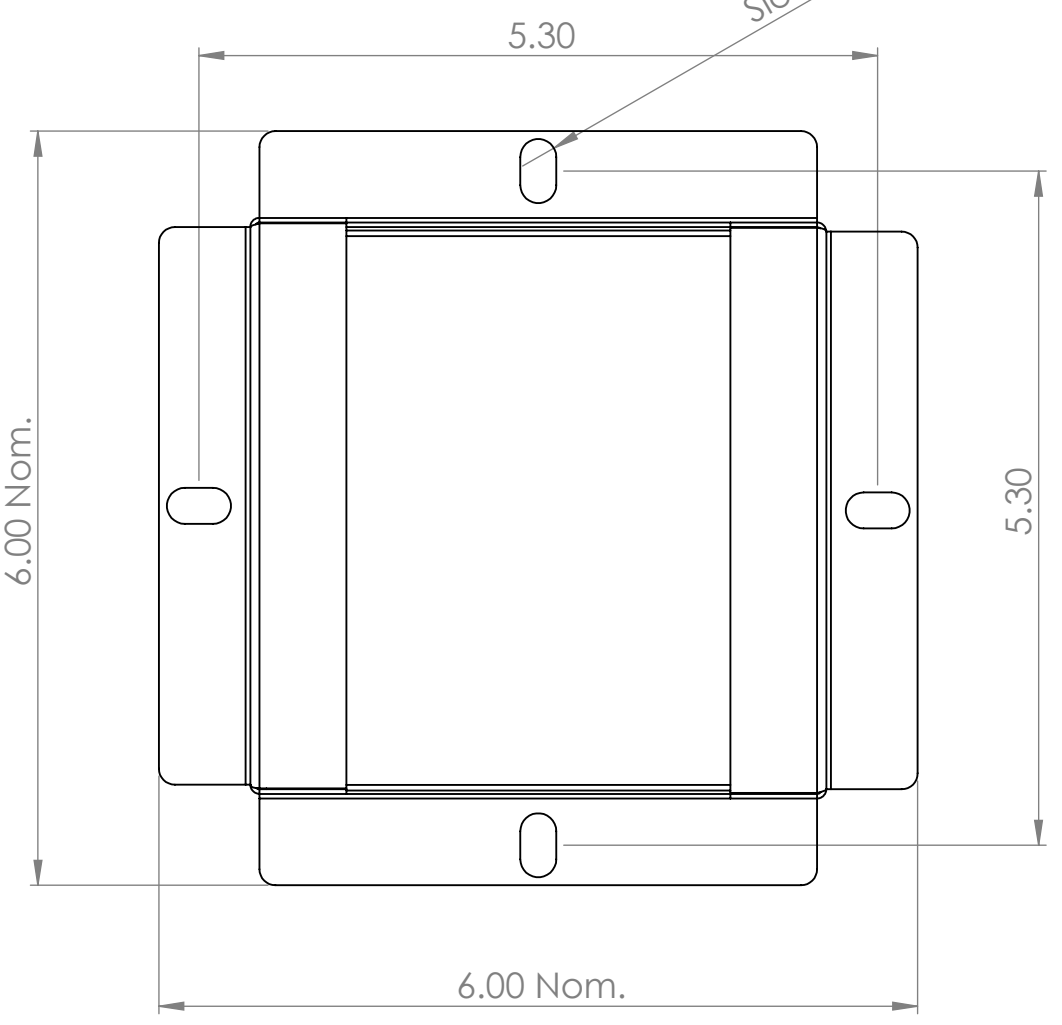


Stainless Steel Construction



Stainless Steel Mesh

Slots Cleared for 1/4 Bolts (Typ.)



8 7 6 5 4 3 2 1

D
C
B
A

AEROEX Aeroex Technologies Inc.
 17 Hamilton Road
 Barrie, On L4N 8Y6
 Tel. 705-734-0199

Title: Standard 4in Chip Strainer

Dwg. No. 099ACS-0002-XB **Size B**

Date: February 11, 2019 Drawn: T.B. Do not scale drawing Sheet 2 of 2