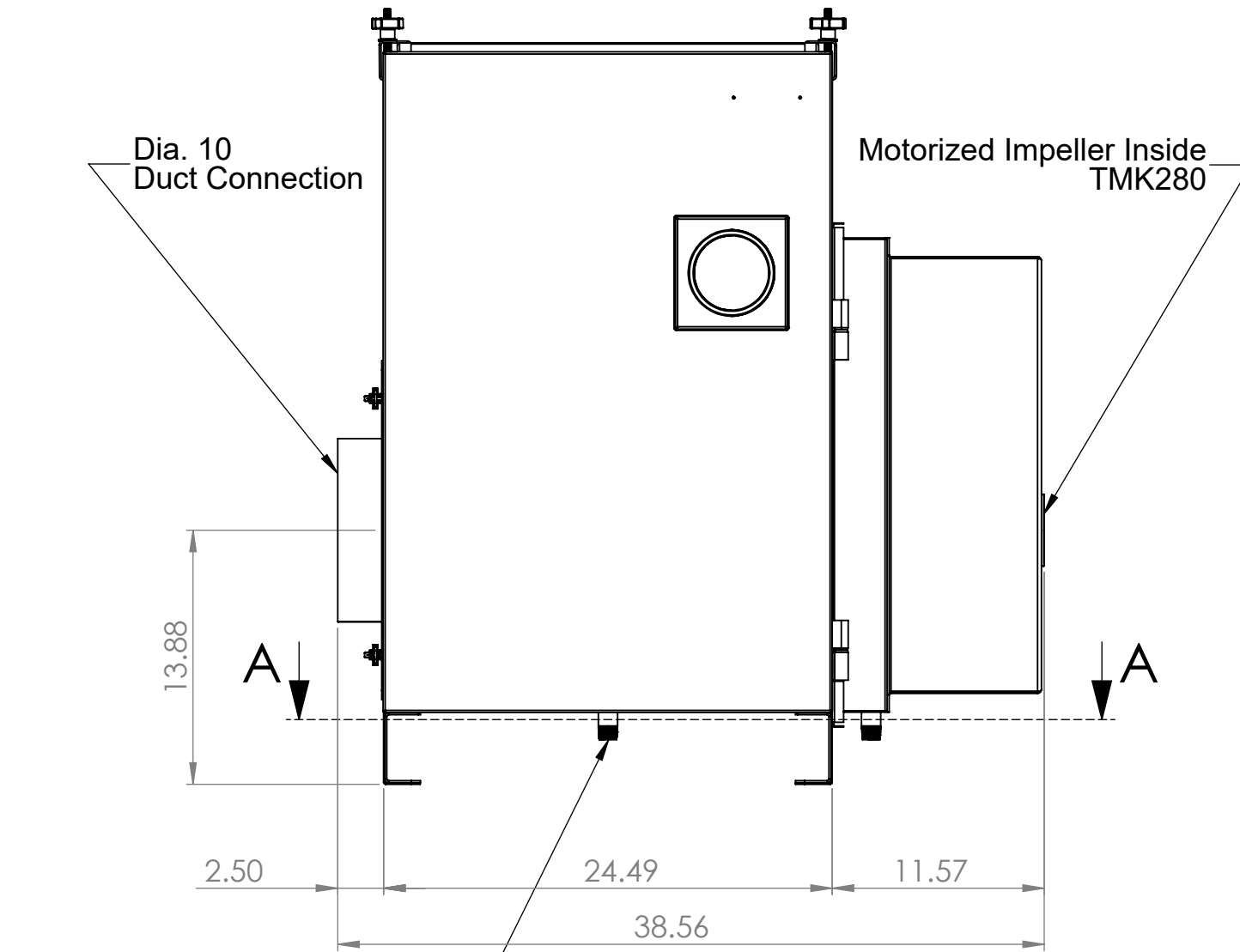
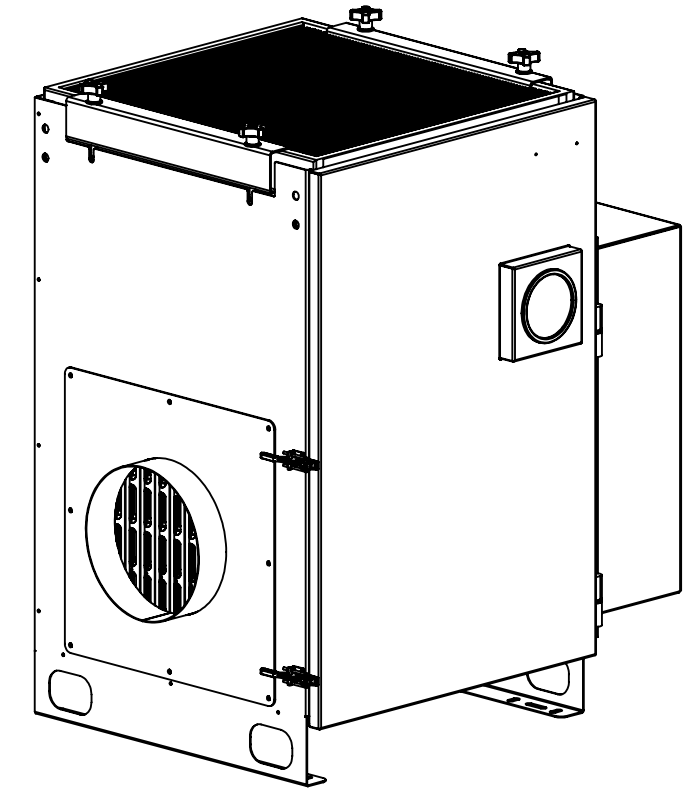


End View

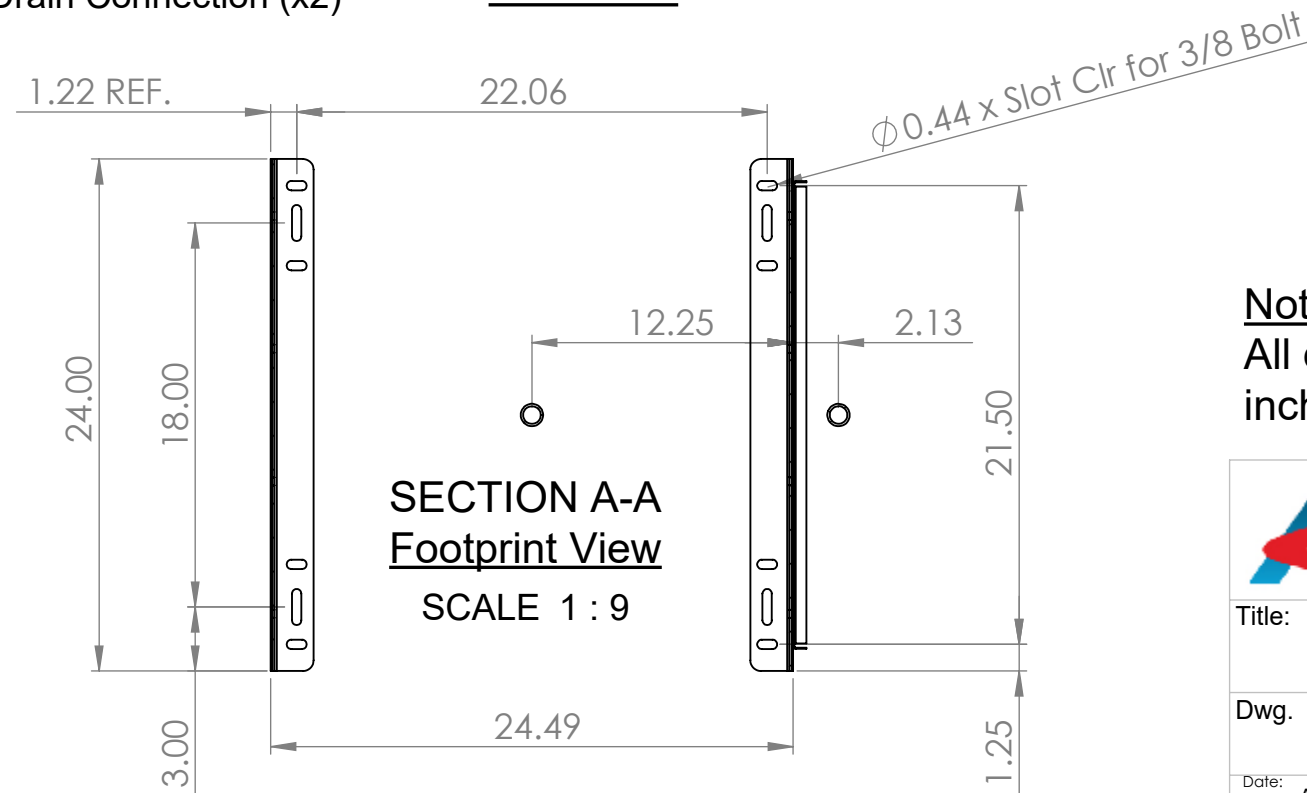


Side View



Note:
Left Hand Suction Shown

3/4 NPT Drain Connection (x2)




**SECTION A-A
Footprint View**

SCALE 1 : 9

Note:
TMK280 Motorized Impeller

Note:
All dimensions are in inches unless noted otherwise

		Aeroex Technologies Inc. 17 Hamilton Road Barrie, On L4N 8Y6 Tel. 705-734-0199	
		Title: ARO-1100-LH	
Dwg. No. ARO-1100-L102-XD		Size B	
Date: August 1, 2018	Drawn: T.B.	Do not scale drawing	Sheet 1 of 1