



Aeroex Technologies Inc.

Air Purifier

Model
IRIS-400/600/1100/2000



Installation & Service Manual

www.aeroex.com

Ph: 705-734-0199

sales@aeroex.com

orderdesk@aeroex.com

Table of Contents

Specifications	2
Installation Instructions	3
Mounting Options	3
Electrical Connection	4
Maintenance	5
Parts	5
Dimensions	6
Dimensions	7
Warranty	8

Model IRIS-400/600/1100/2000 Specs

AEROEX – Air Purifier

For highly effective filtration of airborne contaminants.

Consisting of:

Powdered coated galvanized steel housing.

Motorized impeller

Filter stages:

- 1st stage carbon filter
- 2nd stage HEPA filter 99.9% @ 0.3 µm

Specifications:

Model	CFM	Max Static	Sound dB(A)	Motor hp	Voltage RPM	Amps	RPM	Inlet
IRIS-400	400	3.0 in.w.g.	66	0.5	115/1/60 220/1/60 230/460/3/60	3.0 1.5 0.93/0.56	2780	6" Ø
IRIS-600	600	3.5 in.w.g.	68	0.75	115/1/60 220/1/60 230/460/3/60	4.9 2.5 1.6/0.93	2810	6" Ø
IRIS-1100	1100	4.6 in.w.g.	71	1.5	220/1/60 230/460/3/60	5.1 2.7/1.6	3010	8" Ø
IRIS-2000	2000	6.4 in.w.g.	76	3	220/1/60 230/460/3/60	9.7 6.0/3.3	3250	12" Ø

Installation Instructions

- Installation must be performed by a qualified technician
- The IRIS can be either mounted vertically or horizontally
- Ensure that there is free space to change filters.
- Minimize the length of ducting to avoid air flow losses.
- Connect electrical power. (Consult a qualified electrician)
- Check motor direction as per arrow on motor. (230/460 volt only, see page 5)

Mounting Options

	Source Capture Kit -single hose -double hose	IR60-B001 (For 400 and 600)		Suspension Kit	MF10-B007 (For 1100) MF19-B007 (For 2000)
	Mobility Kit	IR60-B002 (For 400 and 600)		Floor stand Adjustable 6 - 8 ft Galvanized steel	MF10-B219 (For 1100) MF19-B219 (For 2000)
	Ceiling mount Kit	IR60-B003 (For 400 and 600)		Hood 2' x 6' Optional: Curtain	MF10-H001 (For 1100) MF19-H001 (For 2000) MF10-HC01 (For 1100) MF19-HC01 (For 2000)
	Wall Mount	MF55-B006 (For 400 and 600) MF10-B006 (For 1100) MF19-B006 (For 2000)			
	Stand	MF10-B002 (For 1100) MF19-B002 (For 2000)			

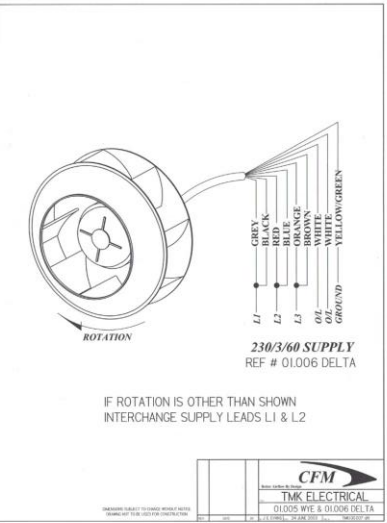
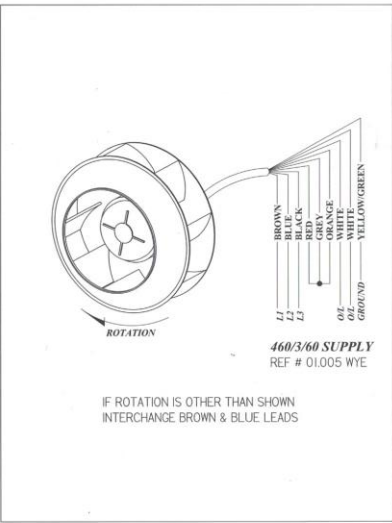
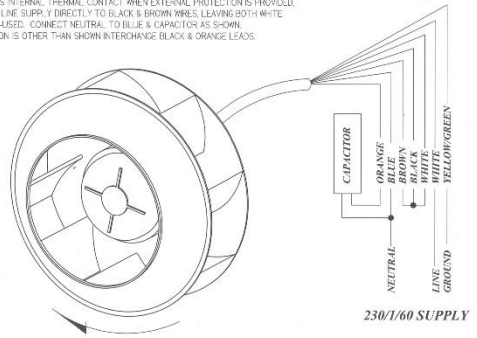
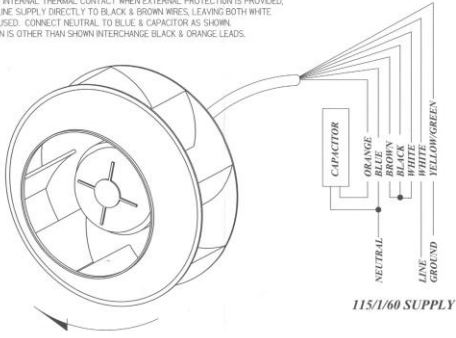
Electrical Connection

Electrical installation must be performed by a qualified electrical technician and comply with applicable local codes. The motor must have overload protection set to the correct motor amperage. Internal thermal overload (white wire) **must** be connected.

Direction of rotation (3 phase only): Remove stage 3 filter. Note the direction of rotation arrow on motor mounting plate. Start unit and inspect the direction of rotation of the impeller fan. If the rotation is opposite the arrow, switch the electrical connections of L1 and L2. Recheck.

TO BYPASS INTERNAL THERMAL CONTACT WHEN EXTERNAL PROTECTION IS PROVIDED, CONNECT LINE SUPPLY DIRECTLY TO BLACK & BROWN WIRES, LEAVING BOTH WHITE WIRES UN-USED. CONNECT NEUTRAL TO BLUE & CAPACITOR AS SHOWN. IF ROTATION IS OTHER THAN SHOWN INTERCHANGE BLACK & ORANGE LEADS.

TO BYPASS INTERNAL THERMAL CONTACT WHEN EXTERNAL PROTECTION IS PROVIDED, CONNECT LINE SUPPLY DIRECTLY TO BLACK & BROWN WIRES, LEAVING BOTH WHITE WIRES UN-USED. CONNECT NEUTRAL TO BLUE & CAPACITOR AS SHOWN. IF ROTATION IS OTHER THAN SHOWN INTERCHANGE BLACK & ORANGE LEADS.



Maintenance

The Aeroex Air Purifier can operate for long periods without maintenance.

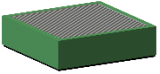
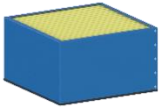
1st Stage Carbon filter.

Recommended replacement every 3-6 months (or as required)

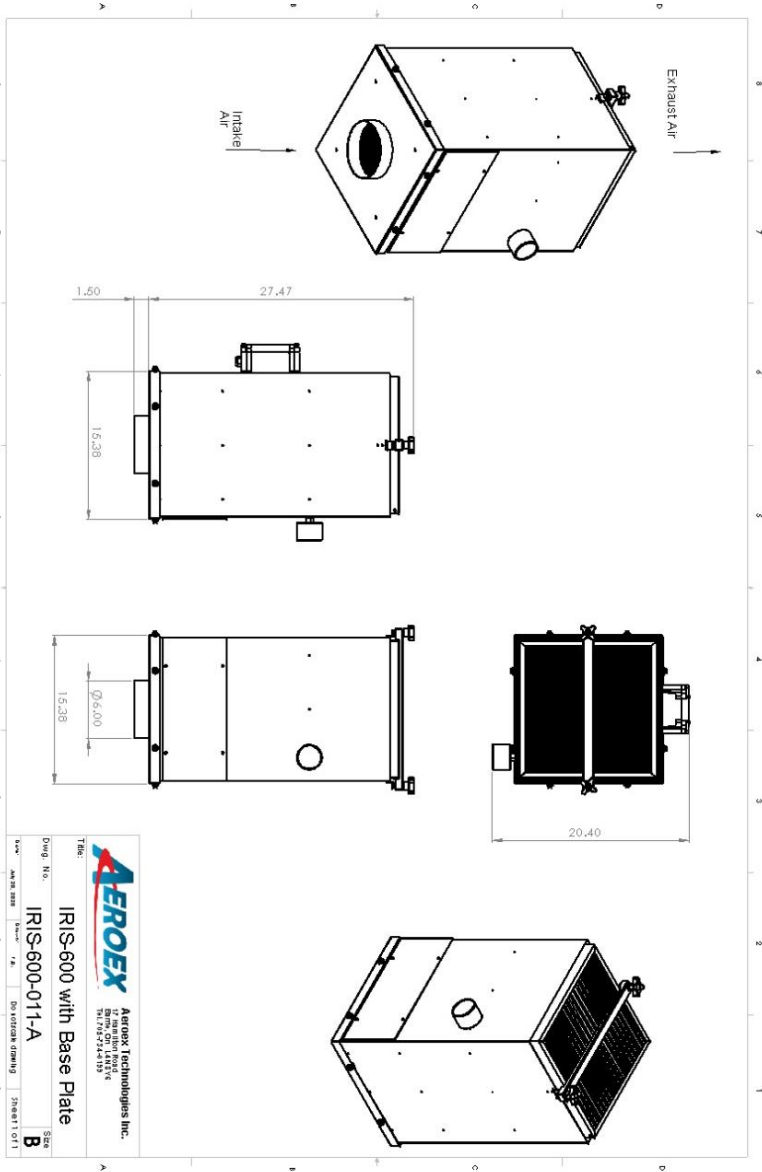
2nd Stage HEPA filter.

Recommended replacement every 12-18 months (or as required)

Parts

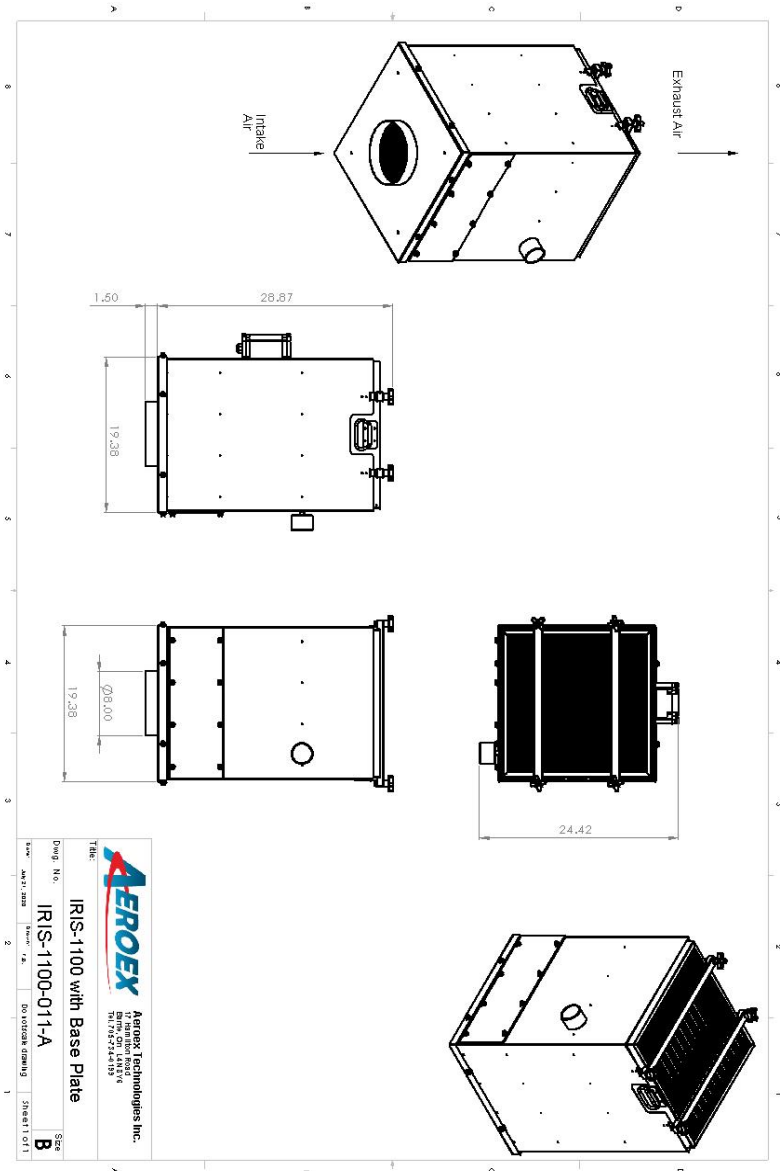
	<p>1st Stage Carbon Filter</p>	<p>IRIS-400/600 PN: R06-F001</p> <p>IRIS-1100 PN: R11-F001</p> <p>IRIS-2000 PN: R20-F001</p>
	<p>2rd Stage HEPA filter Up to 99.9% @ 0.3 μm</p>	<p>IRIS-400/600 PN: R06-F002</p> <p>IRIS-1100 PN: R11-F002</p> <p>IRIS-2000 PN: R20-F002</p>

Dimensions (IRIS-1100)



AEROEX	
Aeroex Technologies Inc.	
2100 N. 10th Street Ft. Worth, TX 76107 Tel: 817-252-4433	
Title: _____	
Drawn By: _____	
IRIS-600-011-A	
Description: _____	
Sheet 1 of 1	
Scale: _____	Size: B

Dimensions (IRIS-600)



For more drawings please visit:
<https://www.aeroex.com/downloads/>



Warranty

Limited Warranty

Aeroex warrants the original purchaser against defects in material and workmanship for five (5) years from date of shipment.

Filters are consumable items and are only warranted to be free of manufacturing defects at time of delivery.

Equipment, parts, or accessories manufactured by others including electric motor, fans and control components carry the guaranty of the manufacturer only.

Any part which is determined to be defective in material or workmanship and returned to an authorized service location, as Aeroex Technologies designates, shipping costs prepaid, will be repaired or replaced at Aeroex Technologies option.

Excluded from the foregoing guarantee are damages caused by ordinary wear and tear, erosion or corrosion, misuse, abuse, or improper handling by the purchaser or any third party.

Aeroex Technologies makes no additional warranties, expressed or implied, whether of merchantability, or otherwise, other than stated above. AEROEX shall not be responsible for any indirect, special or consequential damages, nor for any other claim arising out of the sale, rental, or use of its equipment. AEROEX shall not be liable for special or consequent damages in case of any failure, claims for labor, loss of profits, repairs, alterations, or other expenses incidental to replacement of defective parts or return of the equipment. The Purchaser's sole remedy shall be as stated above.

Aeroex Technologies will make good faith effort for prompt correction or adjustment with respect to any product that proves to be defective within warranty.

Aeroex Technologies Inc.
17 Hamilton Road
Barrie ON, L4N 8Y6
705-734-0199
Sales 905-655-7295

orderdesk@aeroex.com
sales@aeroex.com
www.aeroex.com