

8 7 6 5 4 3 2 1

Leave adequate clearance to ceiling for filter changes

3/8 Threaded Rod (x4) complete with 3/8 Washers and Hex Nuts Customer Supply

Access Door Leave adequate clearance for filter change

Mist-Fit MF-560 with Suspension Bracket installed

Base Plate

Hex Bolt 1/4"-20 (x8) with 1/4" Sealing Washer

Hose Clamp 8"

Suction Hose 8"

Hose Clamp 8"

Hex Bolt 1/4"-20 (x6)

Machine Adaptor 8"

Apply a sealant to mating surface of Machine Adaptor

Chip Strainer 8"

Cut a 8 inch diameter hole in a suitable location if no machine knock out is provided

Sealing Washer 1/4" (x6)


Drill clearance holes for 1/4" bolts use Machine Adaptor as a template and drill to suit

Hex Nut 1/4"-20 (x6)

D
C
B
A

D
C
B
A

8 7 6 5 4 3 2 1

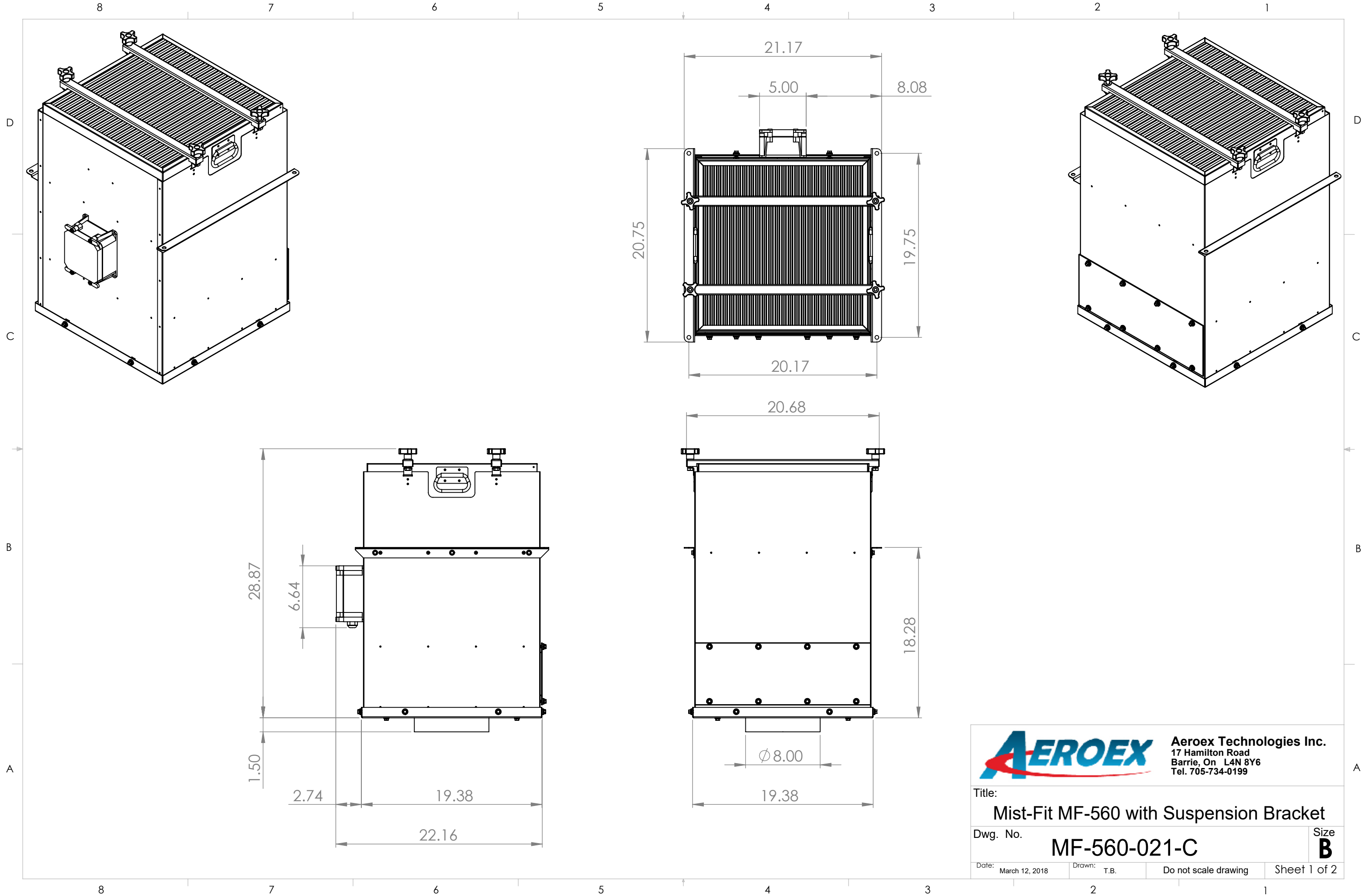


Aeroex Technologies Inc.
17 Hamilton Road
Barrie, On L4N 8Y6
Tel. 705-734-0199

Title: **Installation, MF-560, Suspended**

Dwg. No. **M06MBD-0021-C** Size **B**

Date: March 14, 2019 Drawn: T.B. Do not scale drawing Sheet 1 of 1



AEROEX Aeroex Technologies Inc.
 17 Hamilton Road
 Barrie, On L4N 8Y6
 Tel. 705-734-0199

Title: Mist-Fit MF-560 with Suspension Bracket

Dwg. No. MF-560-021-C Size **B**

Date: March 12, 2018 Drawn: T.B. Do not scale drawing Sheet 1 of 2

8 7 6 5 4 3 2 1

D
C
B
A

Cross Wheel

Filter

Sealing Washer 1/4" (x6)

Hex Nut 1/4"-20 (x6)

Hex Nut 1/4"-20 (x4)

Sealing Washer 1/4" (x4)

Hex Bolt 1/4"-20 (x4)

1. Line up holes in Bracket with rivets on the Mist-Fit

2. Drill 1/4" clearance holes in Mist-Fit through holes provided in Suspension Bracket

3. Fasten with 1/4-20 Hex Bolts

from outside and 1/4" Sealing Washers and 1/4" Hex Nuts on inside

Remove Filter prior to Suspension Bracket Installation

Hex Bolt 1/4"-20 (x6)

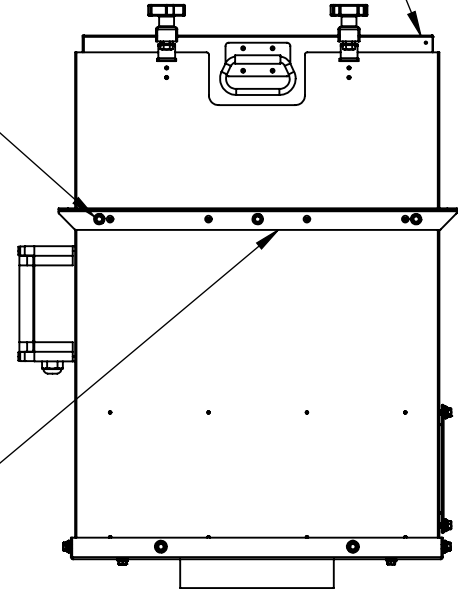
Suspension Bracket (x2)

Mist-Fit MF-1050

Base Plate

Hex Bolt 1/4"-20 (x8) with 1/4" Sealing Washer

Suspension Bracket



D
C
B
A

AEROEX Aeroex Technologies Inc.
 17 Hamilton Road
 Barrie, On L4N 8Y6
 Tel. 705-734-0199

Title: Mist-Fit MF-560 with Suspension Bracket

Dwg. No. MF-560-021-C Size **B**

Date: March 18, 2019 Drawn: T.B. Do not scale drawing Sheet 2 of 2

8 7 6 5 4 3 2 1