

Leave adequate clearance to ceiling for filter changes

Access Door
Leave adequate clearance for filter change

Hex Bolt 1/4"-20 (x4) with 1/4" Sealing Washer

Mist-Fit MF-560

Base Plate

Hex Bolt 1/4"-20 (x8) with 1/4" Sealing Washer

Stand 13" high
Hex Bolt 1/4"-20 (x6)

Suction Hose 8"

Hex Nut 1/4"-20 (x4)

Hose Clamp 8" (x2)

Hex Bolt 1/4"-20 (x6)

Machine Adaptor 8"

Apply a sealant to mating surface of Machine Adaptor

Chip Strainer 8" Std.

Sealing Washer 1/4" (x6)

Hex Nut 1/4"-20 (x6)

Cut a 8 inch diameter hole in a suitable location if no machine knock out is provided

Drill clearance holes for 1/4" bolts use Stand as a template and drill to suit

Sealing Washer 1/4" (x6)

Hex Nut 1/4"-20 (x6)



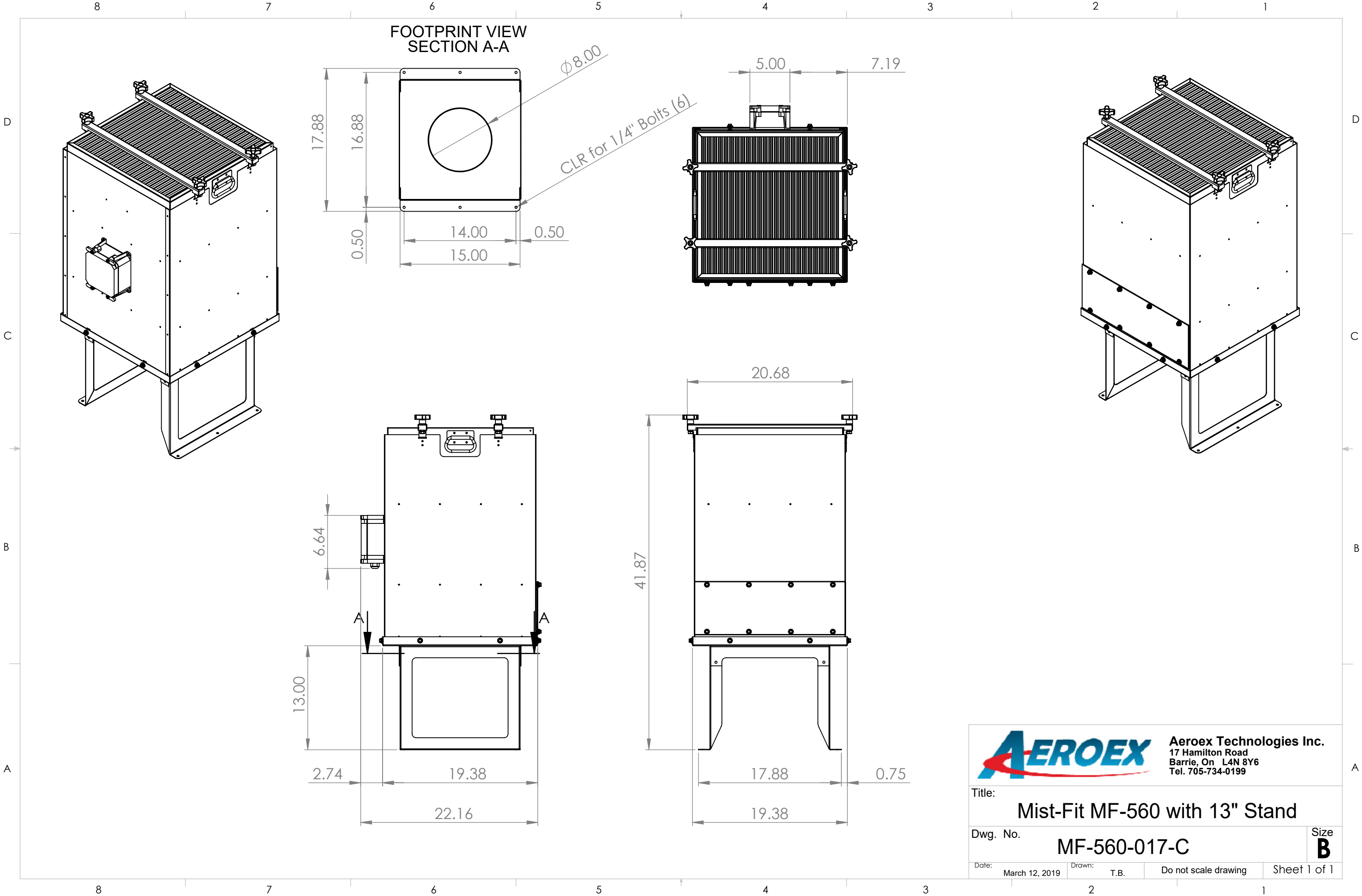
Aeroex Technologies Inc.
17 Hamilton Road
Barrie, On L4N 8Y6
Tel. 705-734-0199


Title: **Installation, MF-560, Stand with Hose**

Dwg. No. **M06MBD-0017-C** Size **B**

Date: March 14, 2019 Drawn: T.B. Do not scale drawing Sheet 1 of 1

FOOTPRINT VIEW
SECTION A-A



		Aeroex Technologies Inc. 17 Hamilton Road Barrie, On L4N 8Y6 Tel. 705-734-0199	
Title: Mist-Fit MF-560 with 13" Stand			
Dwg. No. MF-560-017-C		Size B	
Date: March 12, 2019	Drawn: T.B.	Do not scale drawing	Sheet 1 of 1