

8 7 6 5 4 3 2 1

D  
C  
B  
A

Leave adequate clearance to ceiling for filter changes

Access Door  
Leave adequate clearance for filter change

Hex Bolt 1/4"-20 (x4)  
with 1/4" Sealing Washer

Mist-Fit MF-550

Base Plate

Hex Bolt 1/4"-20 (x8)  
with 1/4" Sealing Washer

Stand 11" high

Hex Bolt 1/4"-20 (x6)

Suction Hose 6"

Hex Bolt 1/4"-20 (x4)

Machine Adaptor 6"

Apply a sealant to mating surface of Machine Adaptor

Hex Nut 1/4"-20 (x4)

Hose Clamp 6" (x2)

Cut a 6 inch diameter hole (minimum) in a suitable location if no machine knock out is provided

Drill clearance holes for 1/4" bolts use Stand as a template and drill to suit

Chip Strainer 6" Std.

Sealing Washer 1/4" (x4)

Hex Nut 1/4"-20 (x4)

Sealing Washer 1/4" (x6)

Hex Nut 1/4"-20 (x6)

A

8 7 6 5 4 3 2 1

A

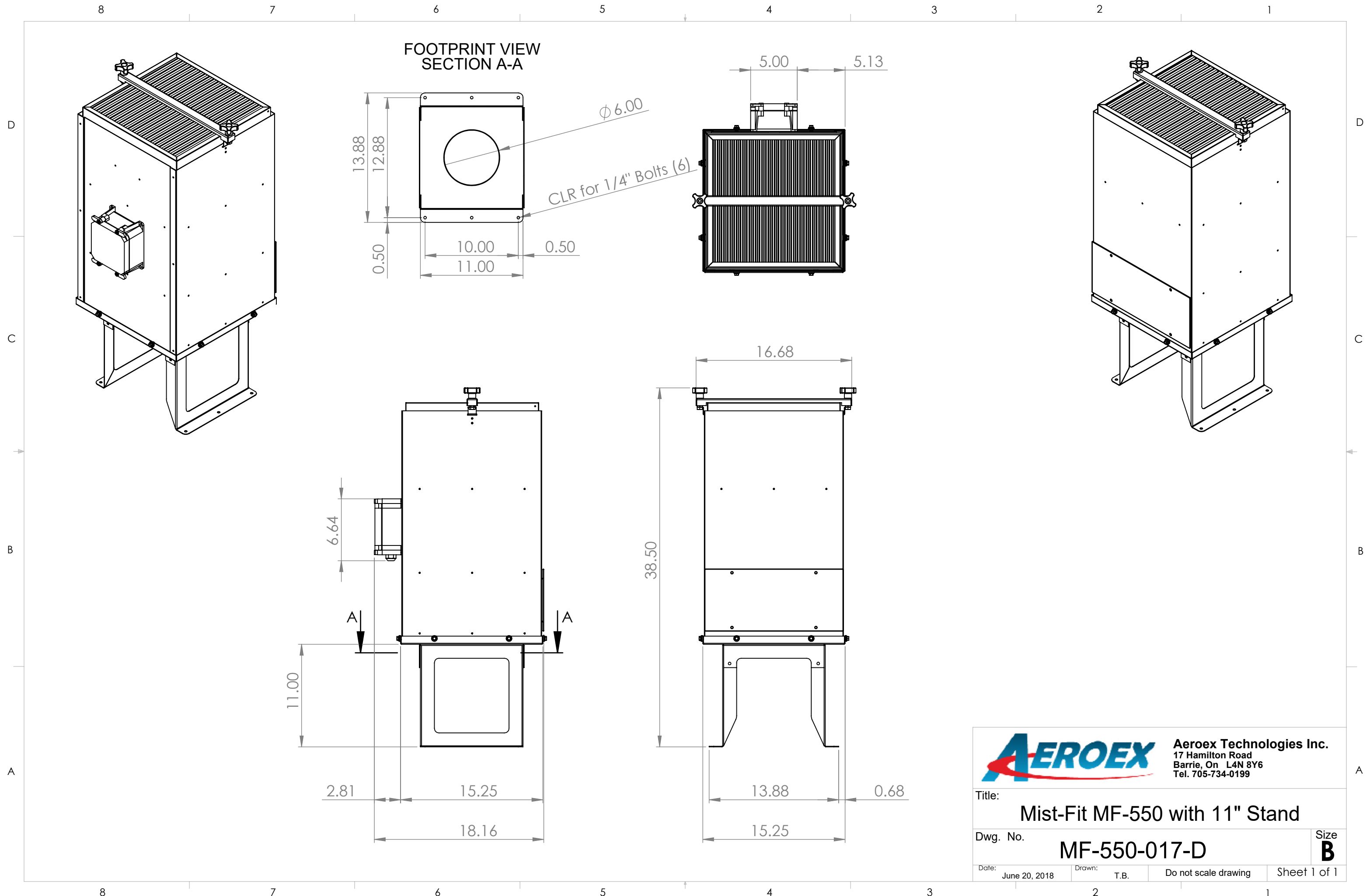


**Aeroex Technologies Inc.**  
17 Hamilton Road  
Barrie, On L4N 8Y6  
Tel. 705-734-0199

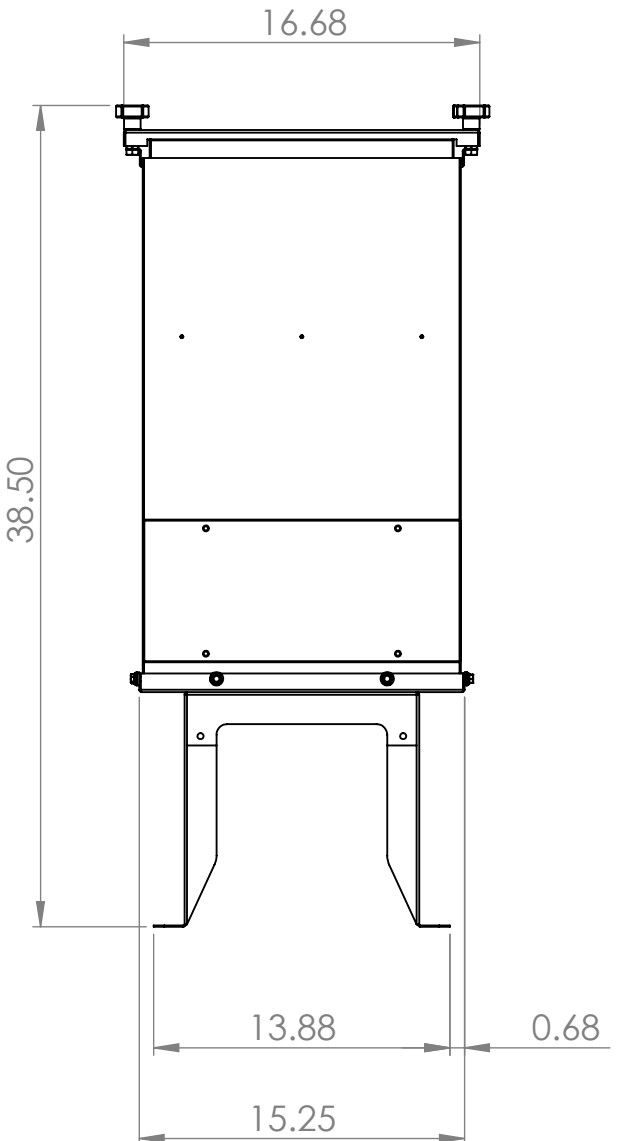
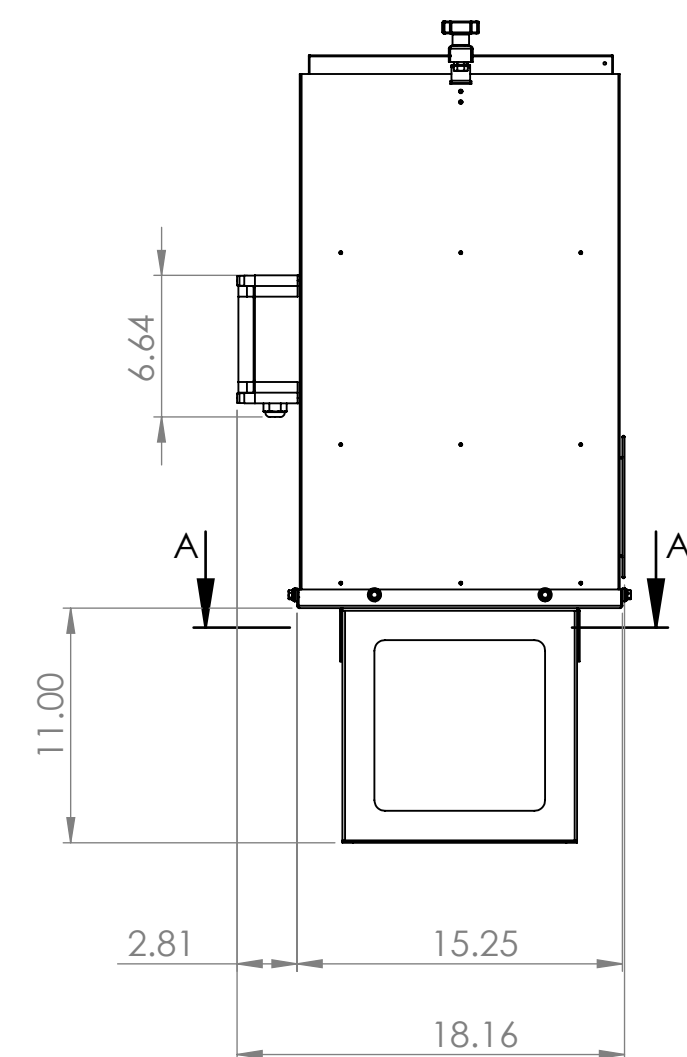
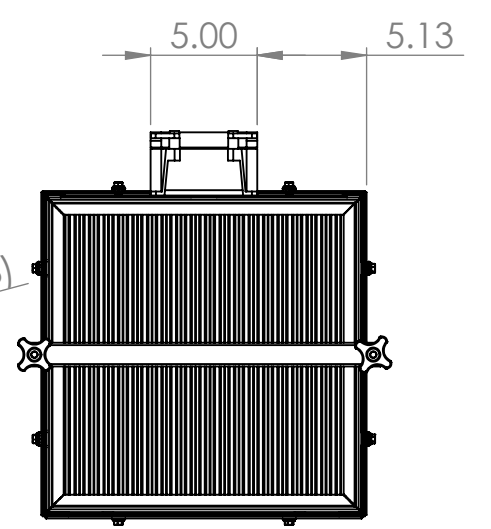
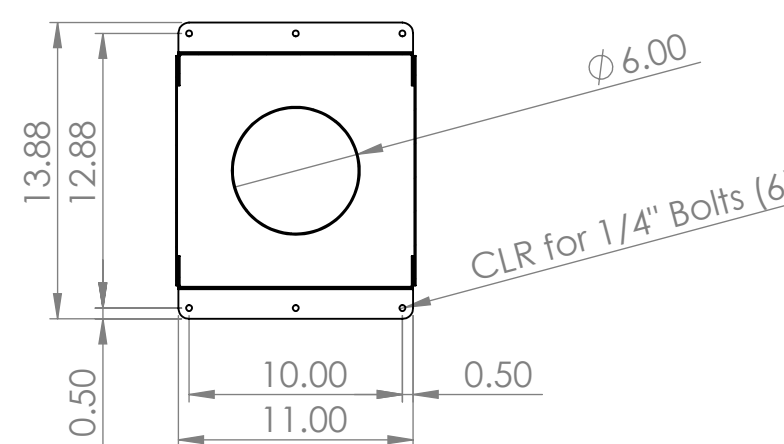
Title: **Installation, MF-550, Stand with Hose**


Dwg. No. **M05MBD-0017-D** Size **B**

Date: March 4, 2019 Drawn: T.B. Do not scale drawing Sheet 1 of 1



FOOTPRINT VIEW  
SECTION A-A



		<b>Aeroex Technologies Inc.</b> 17 Hamilton Road Barrie, On L4N 8Y6 Tel. 705-734-0199	
Title: <b>Mist-Fit MF-550 with 11" Stand</b>			
Dwg. No. <b>MF-550-017-D</b>		Size <b>B</b>	
Date: June 20, 2018	Drawn: T.B.	Do not scale drawing	Sheet 1 of 1