

Leave adequate clearance to ceiling for filter changes

Access Door
Leave adequate clearance for filter change

Mist-Fit MF-550

CNC Machine Side

Side Mount

Hex Bolt 1/4"-20 (x8)
with 1/4" Sealing Washer

Hex Bolt 1/4"-20 (x9)

Hex Nut 1/4"-20 (x9)

Sealing Washer 1/4" (x9)

Side Mount 10" w x 13" h

Drill clearance holes for 1/4" bolts
in a suitable location
use Side Mount as a template

Cut a 6 inch diameter hole
to suit the Side Mount
if no machine knock out is provided

Apply a sealant
to mating surface
if required

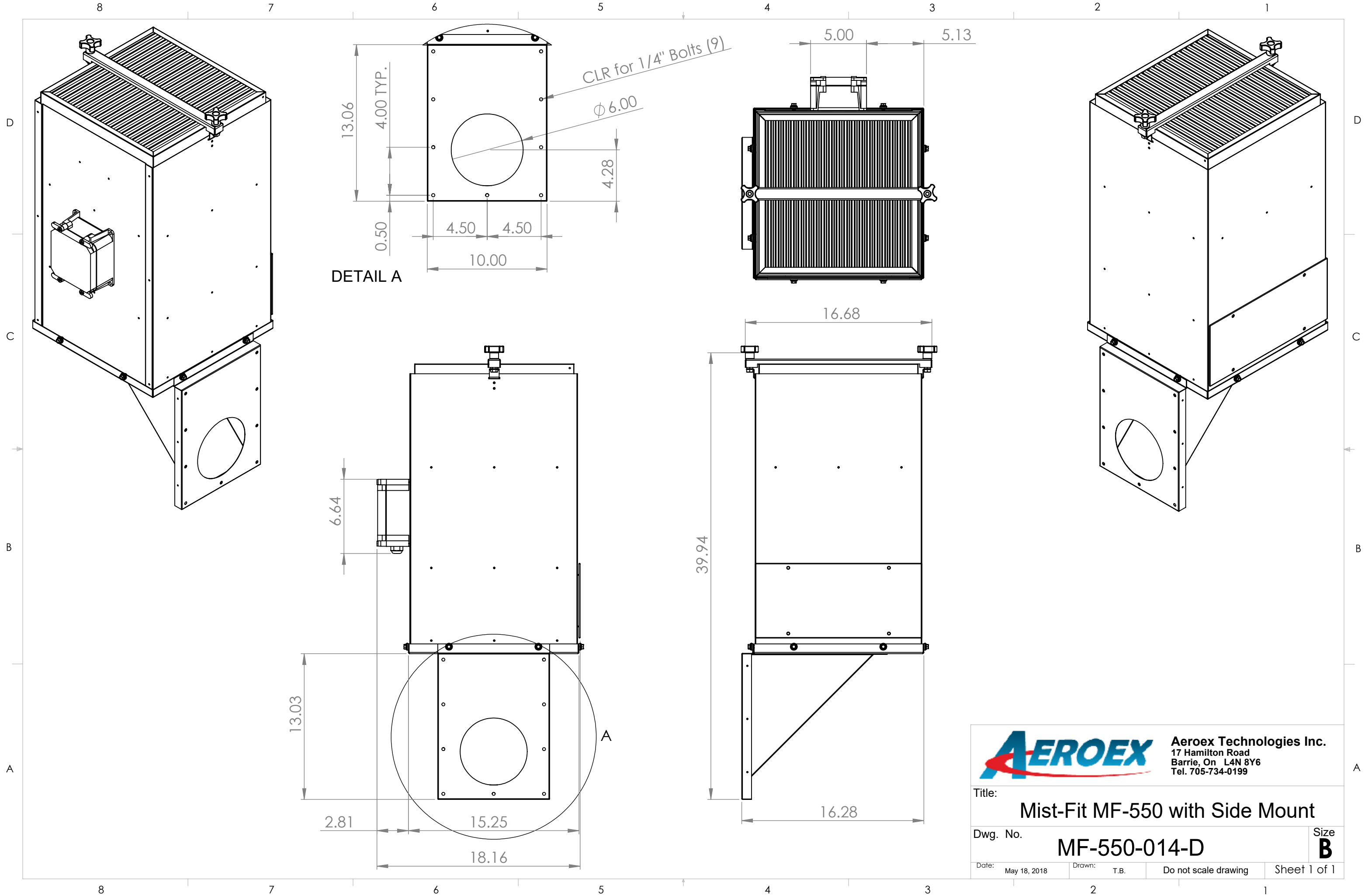


Aeroex Technologies Inc.
17 Hamilton Road
Barrie, On L4N 8Y6
Tel. 705-734-0199

Title: Installation, MF-550, Side Mount

Dwg. No. M05MBD-0014-D Size **B**

Date: March 1, 2019 Drawn: T.B. Do not scale drawing Sheet 1 of 1



AEROEX Aeroex Technologies Inc.
 17 Hamilton Road
 Barrie, On L4N 8Y6
 Tel. 705-734-0199

Title: Mist-Fit MF-550 with Side Mount

Dwg. No. MF-550-014-D

Date: May 18, 2018 Drawn: T.B. Do not scale drawing Sheet 1 of 1

Size **B**