

8 7 6 5 4 3 2 1

D
C
B
A

Leave adequate clearance to ceiling for filter changes

Access Door
Leave adequate clearance for filter change

Mist-Fit MF-550

Offset Pedestal

Hex Bolt 1/4"-20 (x8)
with 1/4" Sealing Washer

Offset Pedestal Base 8.5" x 8.5"

CNC Machine Top
with obstructions
unsuitable for standard Base Plate

Hex Bolt 1/4"-20 (x8)

Cut a 6 inch diameter hole
in a suitable location
if no machine knock out is provided

Sealing Washer 1/4" (x8)

Drill clearance holes for 1/4" bolts
use Pedestal as a template
and drill to suit

Hex Nut 1/4"-20 (x8)

Apply a sealant
to mating surface
if required



Aeroex Technologies Inc.
17 Hamilton Road
Barrie, On L4N 8Y6
Tel. 705-734-0199

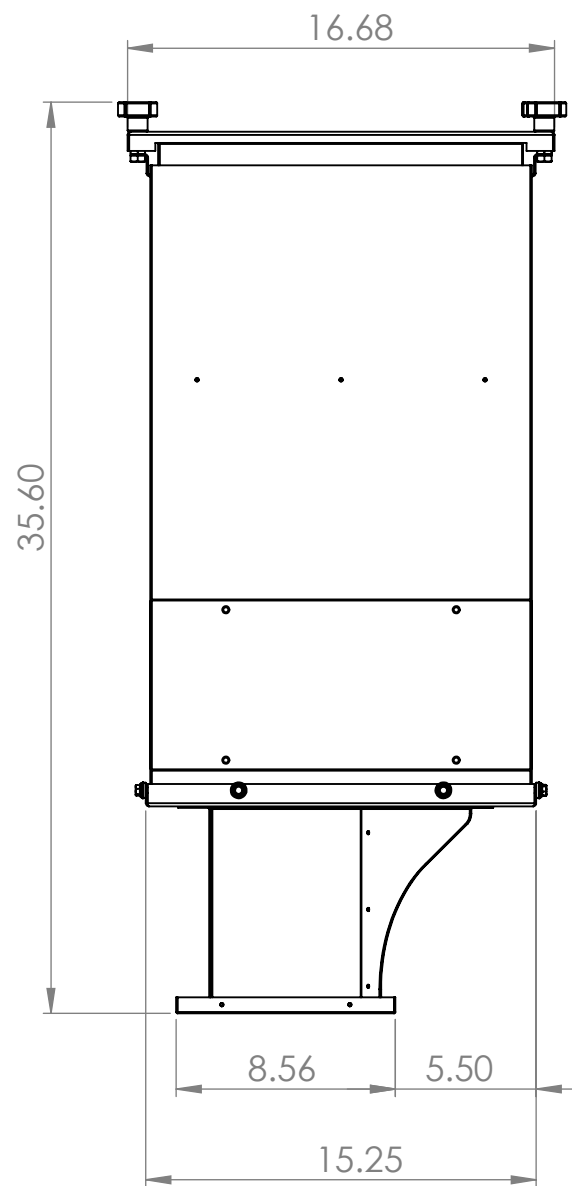
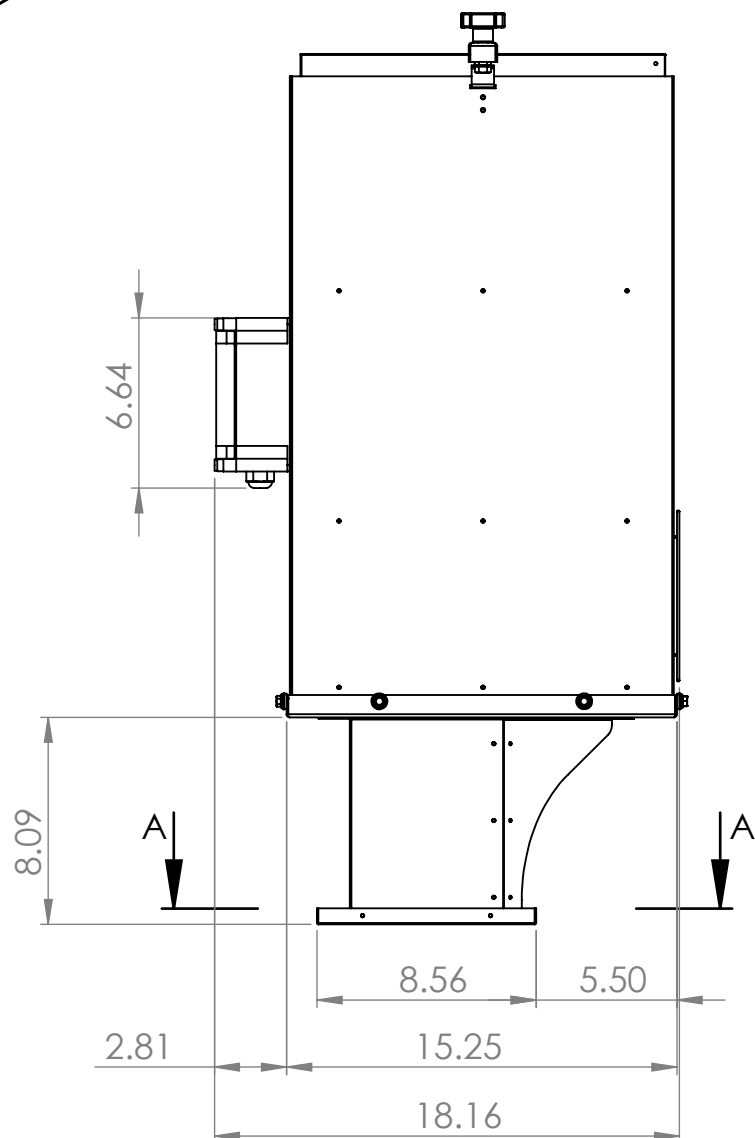
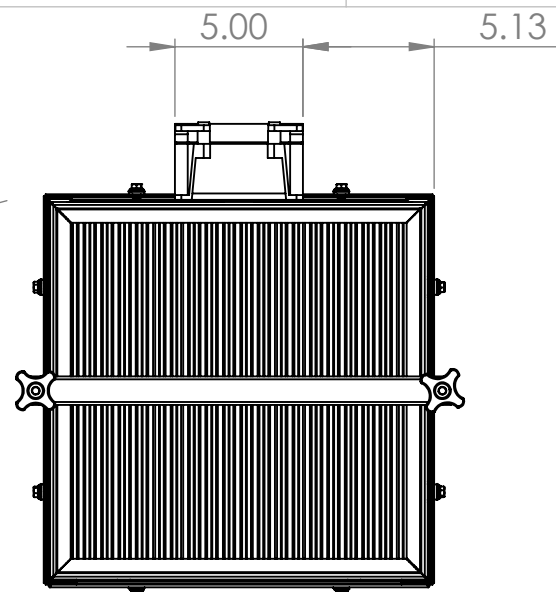
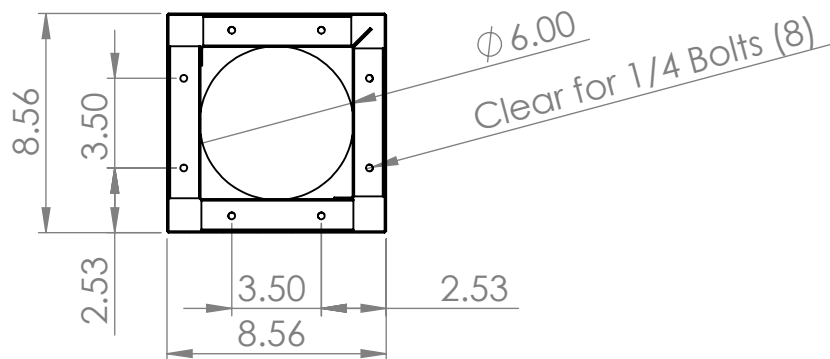
Title: **Installation, MF-550, Offset Pedestal**

Dwg. No. **M05MBD-0013-D** Size **B**

Date: February 19, 2019 Drawn: T.B. Do not scale drawing Sheet 1 of 1

8 7 6 5 4 3 2 1

FOOTPRINT VIEW
SECTION A-A



Note:
Mist-Fit can be installed on
the Offset Pedestal Base in
any desired orientation



Aeroex Technologies Inc.
17 Hamilton Road
Barrie, On L4N 8Y6
Tel. 705-734-0199

Title: **Mist-Fit MF-550 with Offset Pedestal**

Dwg. No. **MF-550-013-D** Size **B**

Date: February 25, 2019 Drawn: T.B. Do not scale drawing Sheet 1 of 1