

8 7 6 5 4 3 2 1

Leave adequate clearance to ceiling for filter changes

3/8 Threaded Rod (x4) complete with 3/8 Washers and Hex Nuts Customer Supply

Access Door Leave adequate clearance for filter change

Mist-Fit MF-350 with Suspension Bracket installed

Base Plate

Hex Bolt 1/4"-20 (x8) with 1/4" Sealing Washer

Hose Clamp 6"

Suction Hose 6"

Hose Clamp 6"

Hex Bolt 1/4"-20 (x4)

Machine Adaptor 6"

Apply a sealant to mating surface of Machine Adaptor

Chip Strainer 6" Std.

Cut a 6 inch diameter hole in a suitable location if no machine knock out is provided

Drill clearance holes for 1/4" bolts use Machine Adaptor as a template and drill to suit


Sealing Washer 1/4" (x4)

Hex Nut 1/4"-20 (x4)

D
C
B
A

D
C
B
A

8 7 6 5 4 3 2 1

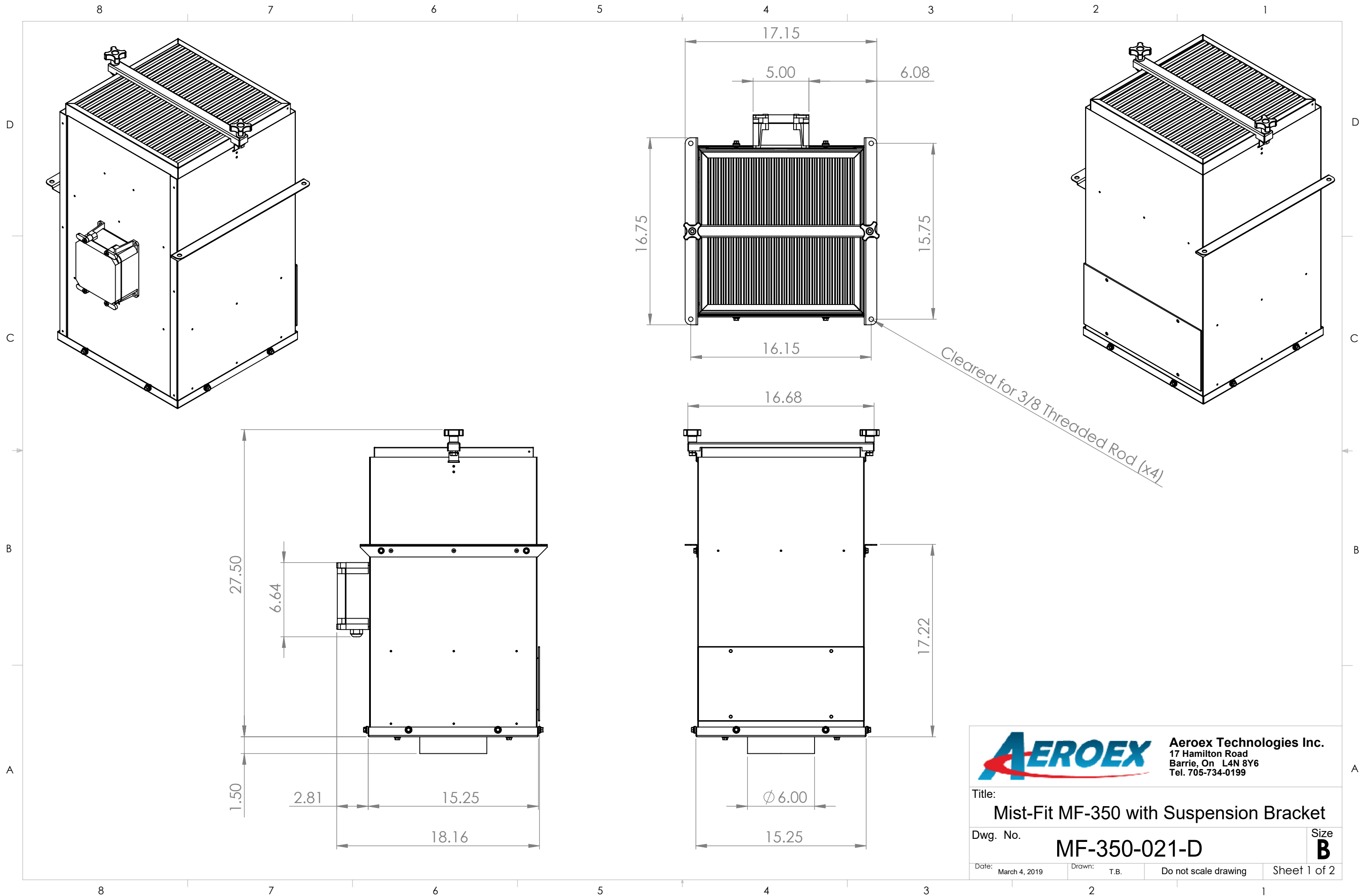


Aeroex Technologies Inc.
17 Hamilton Road
Barrie, On L4N 8Y6
Tel. 705-734-0199

Title: **Installation, MF-350, Suspended**

Dwg. No. **M03MBD-0021-D** Size **B**

Date: March 5, 2019 Drawn: T.B. Do not scale drawing Sheet 1 of 1

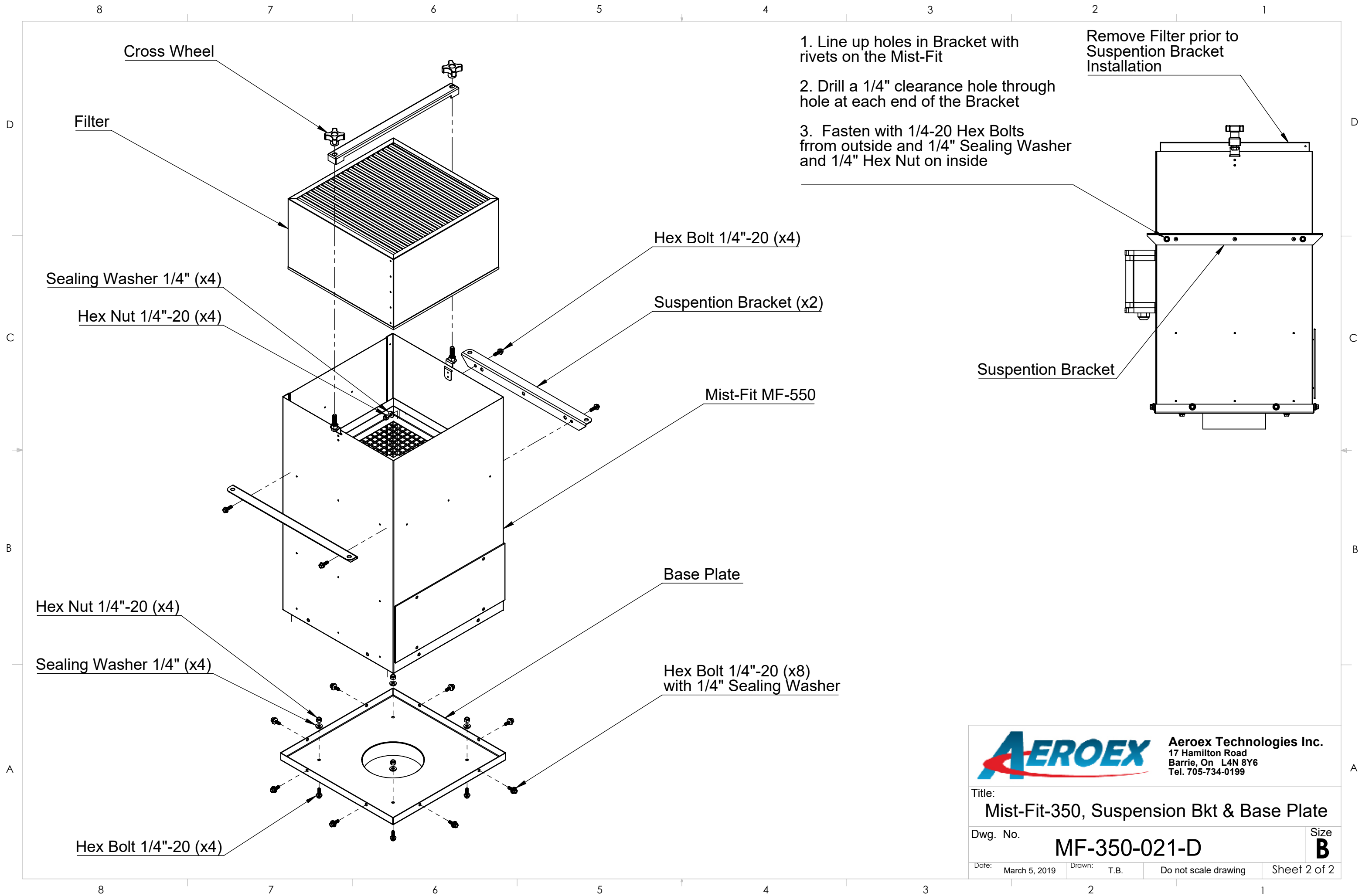


AEROEX Aeroex Technologies Inc.
 17 Hamilton Road
 Barrie, On L4N 8Y6
 Tel. 705-734-0199

Title: Mist-Fit MF-350 with Suspension Bracket

Dwg. No. MF-350-021-D Size **B**

Date: March 4, 2019 Drawn: T.B. Do not scale drawing Sheet 1 of 2



AEROEX Aeroex Technologies Inc.
 17 Hamilton Road
 Barrie, On L4N 8Y6
 Tel. 705-734-0199

Title: Mist-Fit-350, Suspension Bkt & Base Plate

Dwg. No. MF-350-021-D Size **B**

Date: March 5, 2019	Drawn: T.B.	Do not scale drawing	Sheet 2 of 2
---------------------	-------------	----------------------	--------------