

8 7 6 5 4 3 2 1

D
C
B
A

D
C
B
A

Leave adequate clearance to ceiling for filter changes

Access Door
Leave adequate clearance for filter change

Hex Bolt 1/4"-20 (x4)
with 1/4" Sealing Washer

Mist-Fit MF-350

Base Plate

Hex Bolt 1/4"-20 (x8)
with 1/4" Sealing Washer

Stand 11" high

Hex Bolt 1/4"-20 (x6)

Suction Hose 6"

Hex Bolt 1/4"-20 (x4)

Machine Adaptor 6"

Apply a sealant to mating surface of Machine Adaptor

Hex Nut 1/4"-20 (x4)

Hose Clamp 6" (x2)

Cut a 6 inch diameter hole (minimum) in a suitable location if no machine knock out is provided

Drill clearance holes for 1/4" bolts use Stand as a template and drill to suit

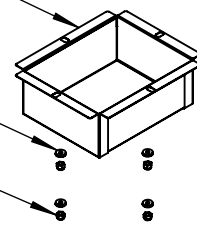
Chip Strainer 6" Std.

Sealing Washer 1/4" (x4)

Hex Nut 1/4"-20 (x4)

Sealing Washer 1/4" (x6)

Hex Nut 1/4"-20 (x6)



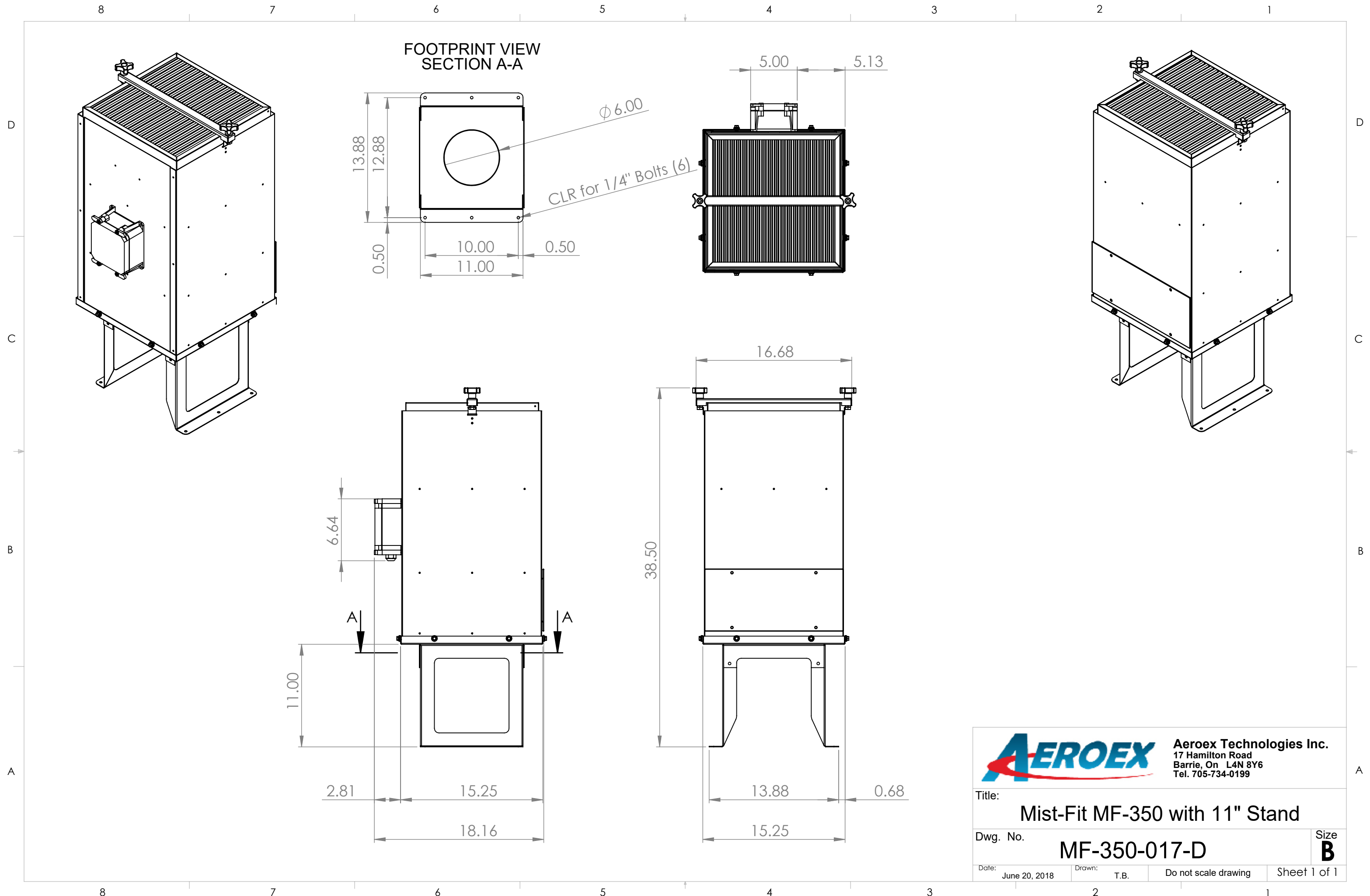
AEROEX Aeroex Technologies Inc.
17 Hamilton Road
Barrie, On L4N 8Y6
Tel. 705-734-0199

Title: **Installation, MF-350, Stand with Hose**

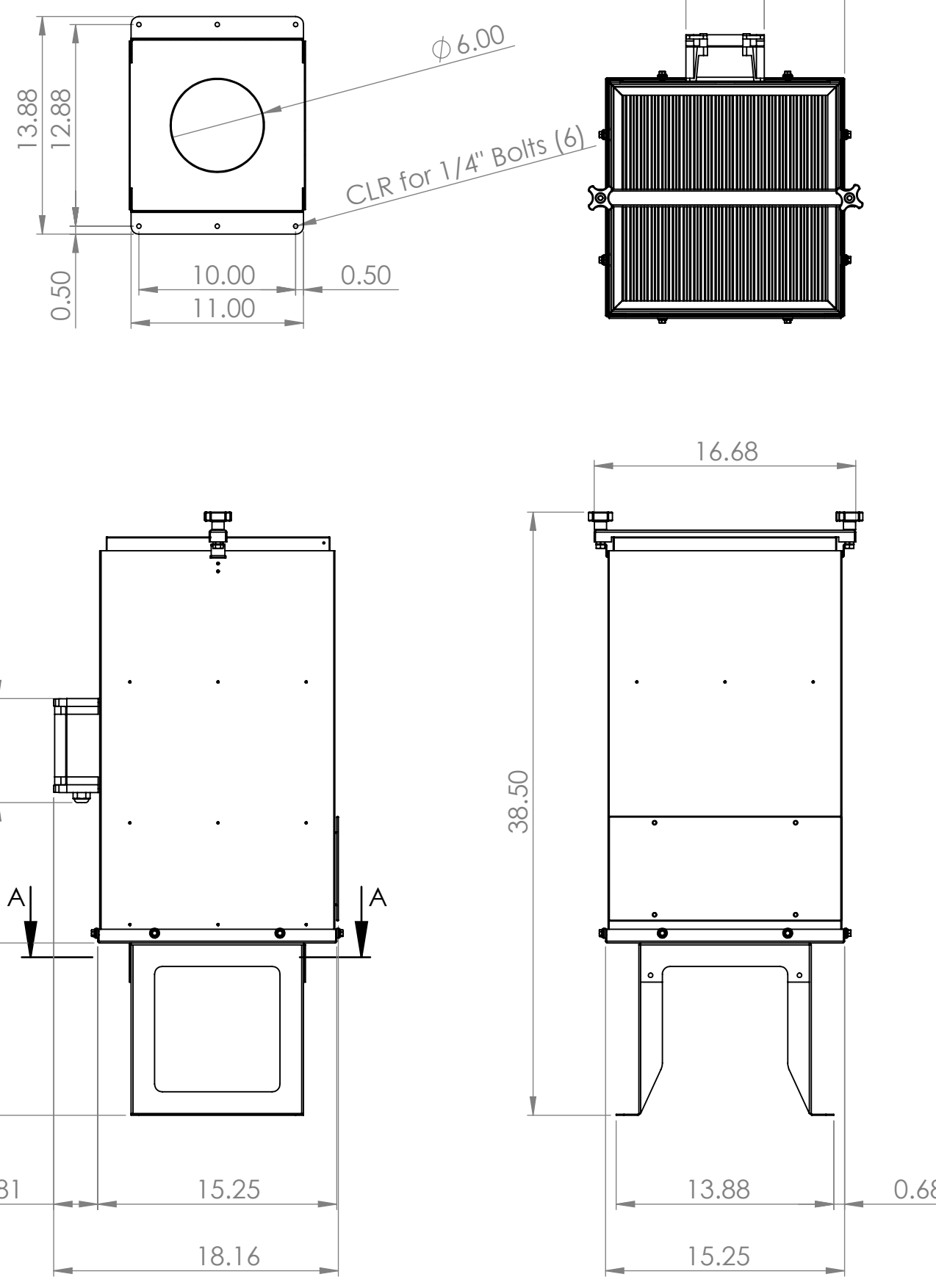
Dwg. No. **M03MBD-0017-D** Size **B**

Date: March 4, 2019 Drawn: T.B. Do not scale drawing Sheet 1 of 1

8 7 6 5 4 3 2 1



FOOTPRINT VIEW
SECTION A-A



AEROEX Aeroex Technologies Inc.
17 Hamilton Road
Barrie, On L4N 8Y6
Tel. 705-734-0199

Title: Mist-Fit MF-350 with 11" Stand

Dwg. No. MF-350-017-D

Date: June 20, 2018 Drawn: T.B. Do not scale drawing Sheet 1 of 1

Size **B**