

D

D

C

C

B

B

A

A

Leave adequate clearance to ceiling for filter changes

Access Door  
Leave adequate clearance for filter change

Mist-Fit MF-350

CNC Machine Side

Side Mount

Hex Bolt 1/4"-20 (x8) with 1/4" Sealing Washer

Hex Bolt 1/4"-20 (x9)

Apply a sealant to mating surface if required

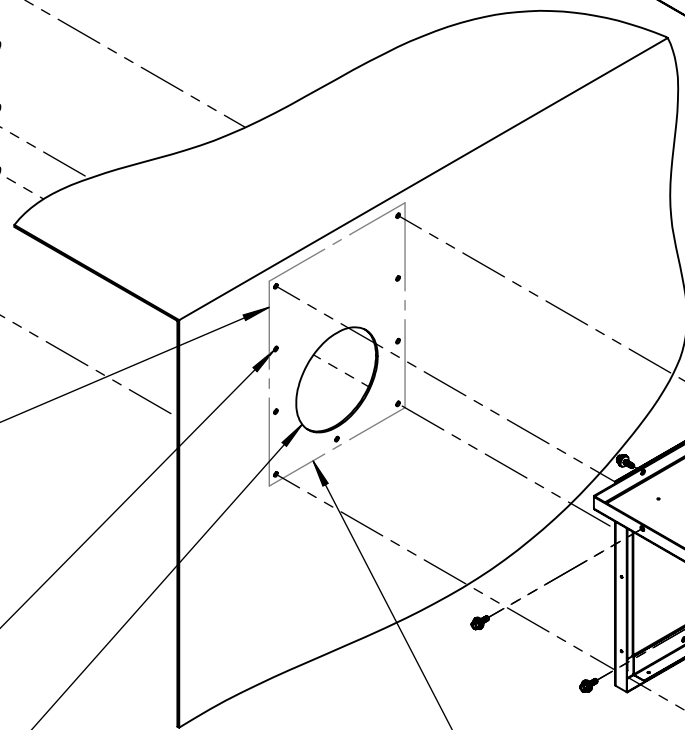
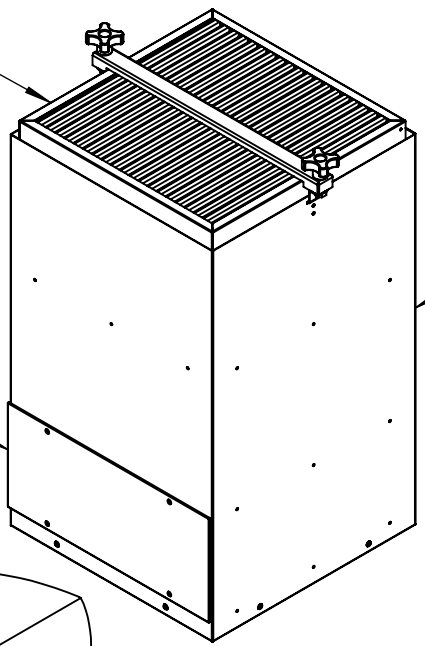
Hex Nut 1/4"-20 (x9)

Sealing Washer 1/4" (x9)

Side Mount 10" w x 13" h

Drill clearance holes for 1/4" bolts in a suitable location use Side Mount as a template

Cut a 6 inch diameter hole to suit the Side Mount if no machine knock out is provided

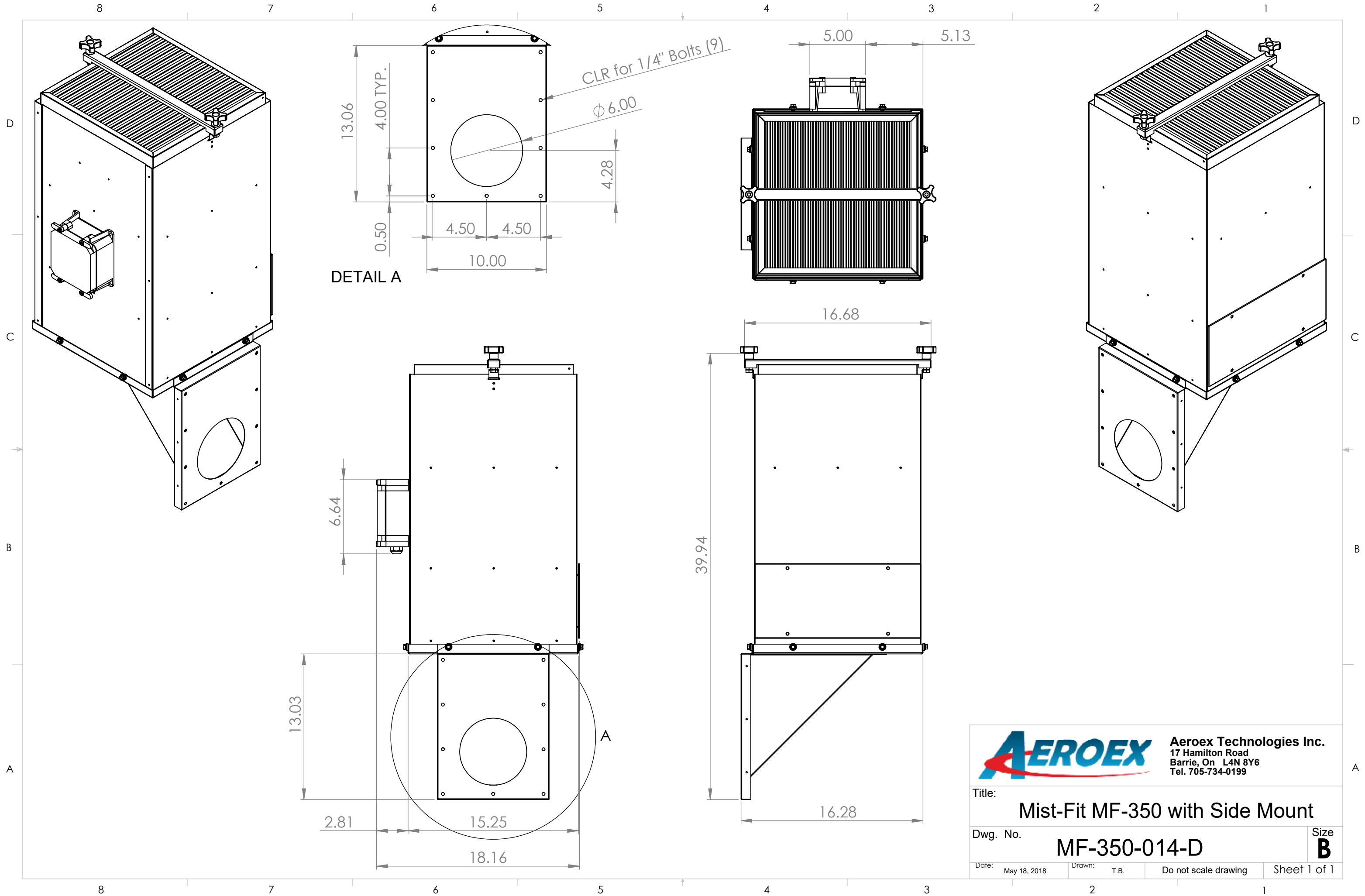


**AEROEX** Aeroex Technologies Inc.  
17 Hamilton Road  
Barrie, On L4N 8Y6  
Tel. 705-734-0199

Title: **Installation, MF-350, Side Mount**

Dwg. No. **M03MBD-0014-D** Size **B**

Date: March 1, 2019 Drawn: T.B. Do not scale drawing Sheet 1 of 1



**AEROEX** Aeroex Technologies Inc.  
 17 Hamilton Road  
 Barrie, On L4N 8Y6  
 Tel. 705-734-0199

Title: Mist-Fit MF-350 with Side Mount

Dwg. No. MF-350-014-D **Size B**

Date: May 18, 2018 Drawn: T.B. Do not scale drawing Sheet 1 of 1