

8 7 6 5 4 3 2 1

D

D

C

C

B

B

A

A

Leave adequate clearance to ceiling for filter changes

Access Door
Leave adequate clearance for filter change

Hex Bolt 1/4"-20 (x4) with 1/4" Sealing Washer

Hex Nut 1/4"-20 (x4)

CNC Machine Top

Floor Stand
Available 6', 7' or 8' high

Cleared for 1/2" Bolts (4)
Attach to suitable floor using appropriate fasteners

Mist-Fit MF-350

Base Plate

Hex Bolt 1/4"-20 (x8) with 1/4" Sealing Washer

Hose Clamp 6" (x2)

Suction Hose 6"

Hex Bolt 1/4"-20 (x4)

Machine Adaptor 6"

Apply a sealant to mating surface of Machine Adaptor

Cut a 6 inch diameter hole in a suitable location if no machine knock out is provided

Drill clearance holes for 1/4" bolts use Machine Adaptor as a template and drill to suit

Chip Strainer 6" Std.

Sealing Washer 1/4" (x4)

Hex Nut 1/4"-20 (x4)



Aeroex Technologies Inc.
17 Hamilton Road
Barrie, On L4N 8Y6
Tel. 705-734-0199

Title: Installation, MF-350, Floor Stand			
Dwg. No. M03MBD-0026-D			Size B
Date: March 7, 2019	Drawn: T.B.	Do not scale drawing	Sheet 1 of 1

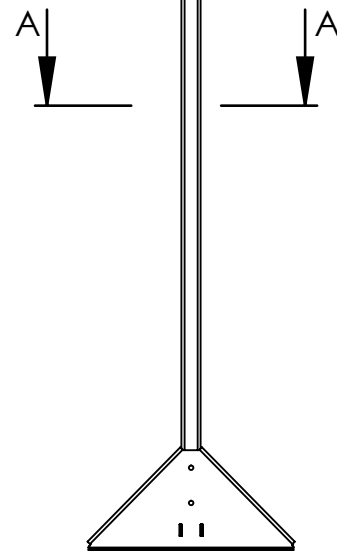
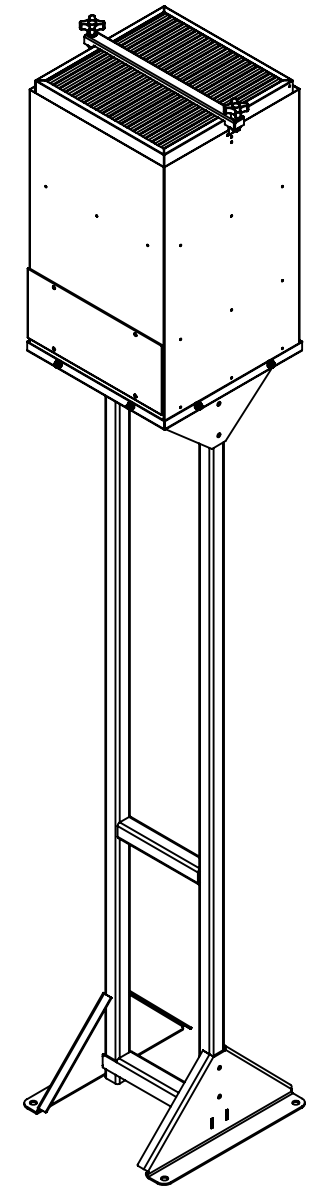
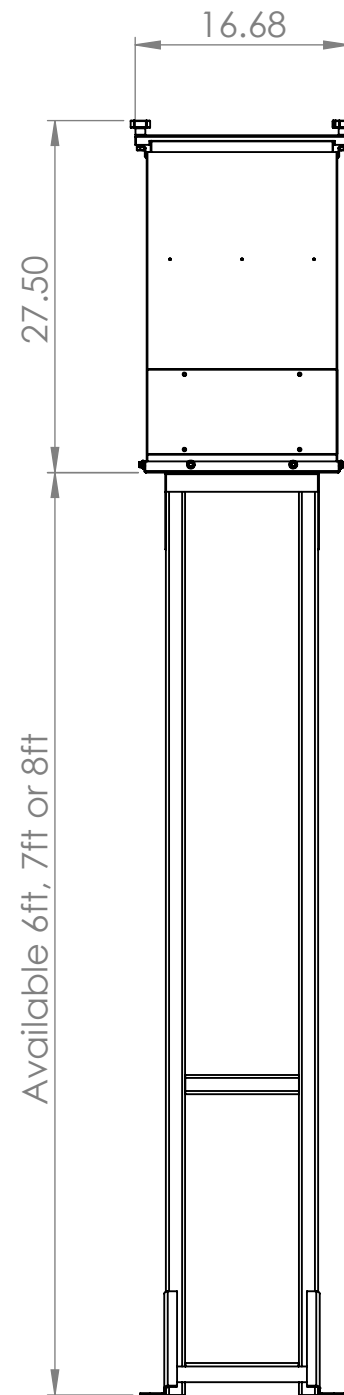
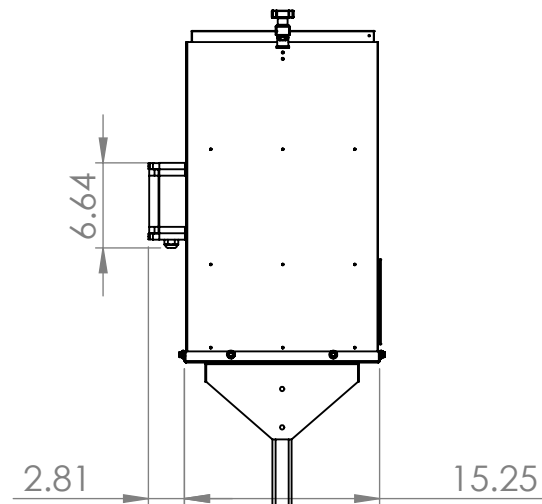
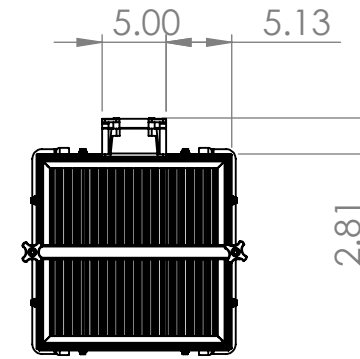
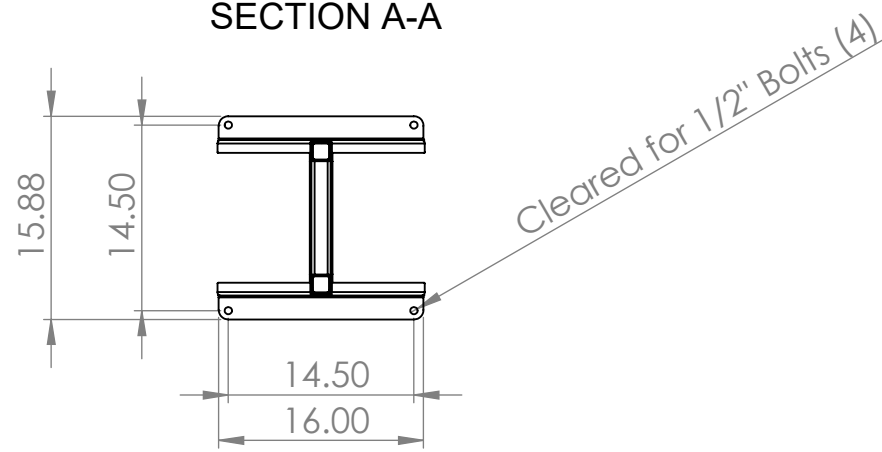
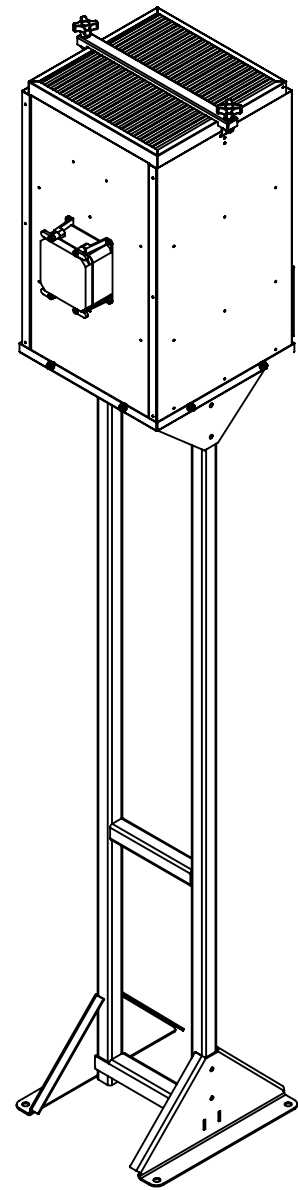
8 7 6 5 4 3 2 1

8 7 6 5 4 3 2 1

D
C
B
A

D
C
B
A

FOOTPRINT VIEW
SECTION A-A



AEROEX Aeroex Technologies Inc.
 17 Hamilton Road
 Barrie, On L4N 8Y6
 Tel. 705-734-0199

Title: Mist-Fit MF-350 with 6ft. Floor Stand

Dwg. No. MF-350-026-D Size **B**

Date: March 7, 2019 Drawn: T.B. Do not scale drawing Sheet 1 of 1

8 7 6 5 4 3 2 1