

8 7 6 5 4 3 2 1

D
C
B
A

Leave adequate clearance
to ceiling for filter changes

Access Door
Leave adequate clearance
for filter change

Hex Bolt 1/4"-20 (x4)
with 1/4" Sealing Washer

Mist-Fit MF-1950

Base Plate

Hex Bolt 1/4"-20 (x8)
with 1/4" Sealing Washer

Stand 23" high

Hex Bolt 1/4"-20 (x6)

Hex Nut 1/4"-20 (x4)

Suction Hose 12"

Hex Bolt 1/4"-20 (x6)

Machine Adaptor 12"

Hose Clamp 12" (x2)

Apply a sealant to mating surface of Machine Adaptor

Chip Strainer 12" Std.

Sealing Washer 1/4" (x6)

Hex Nut 1/4"-20 (x6)

Cut a 12 inch diameter hole
in a suitable location
if no machine knock out is provided

Drill clearance holes for 1/4" bolts
use Stand as a template
and drill to suit

Sealing Washer 1/4" (x6)

Hex Nut 1/4"-20 (x6)



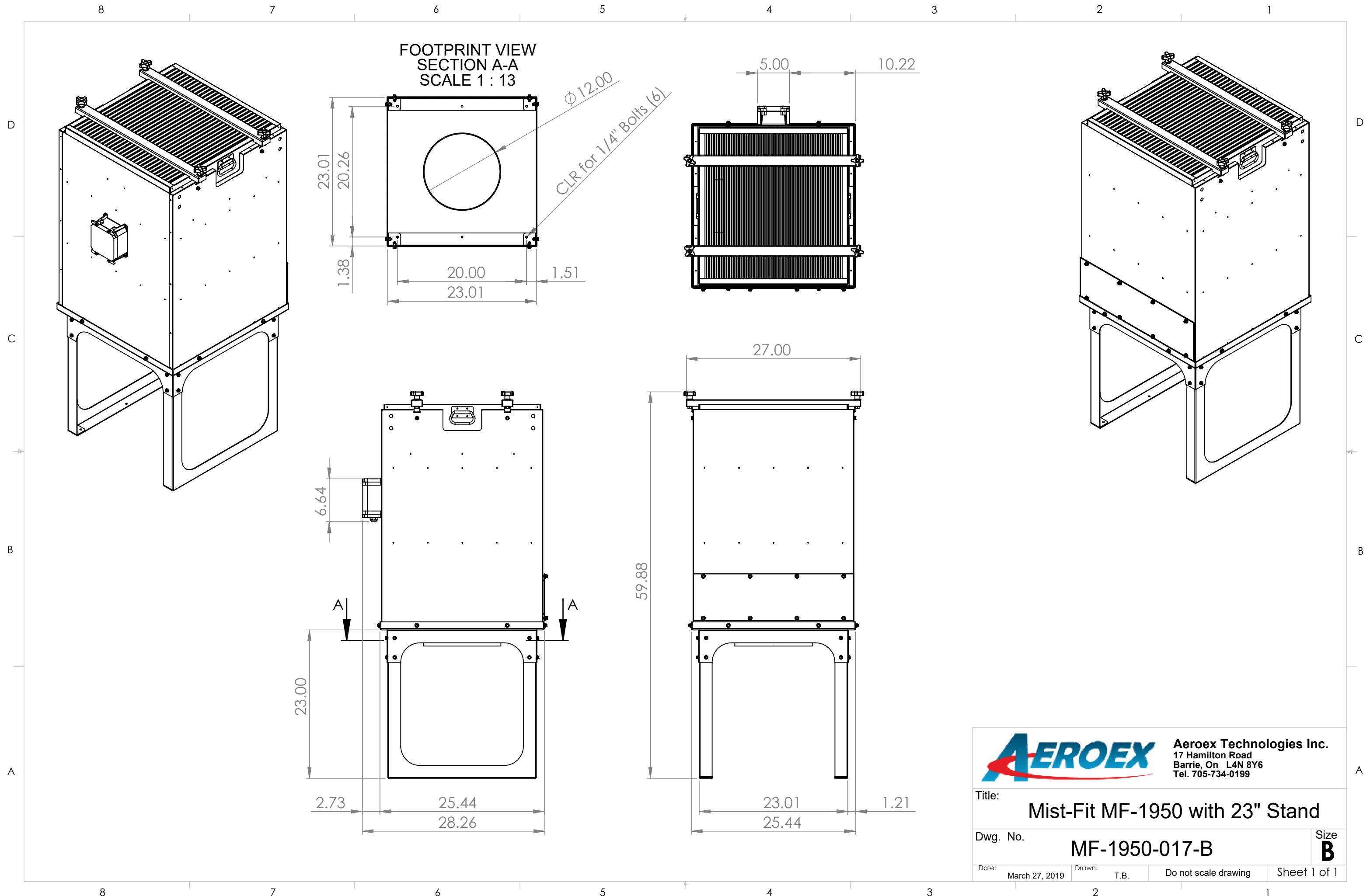
Aeroex Technologies Inc.
17 Hamilton Road
Barrie, On L4N 8Y6
Tel. 705-734-0199

Title: **Installation, MF-1950, Stand with Hose**

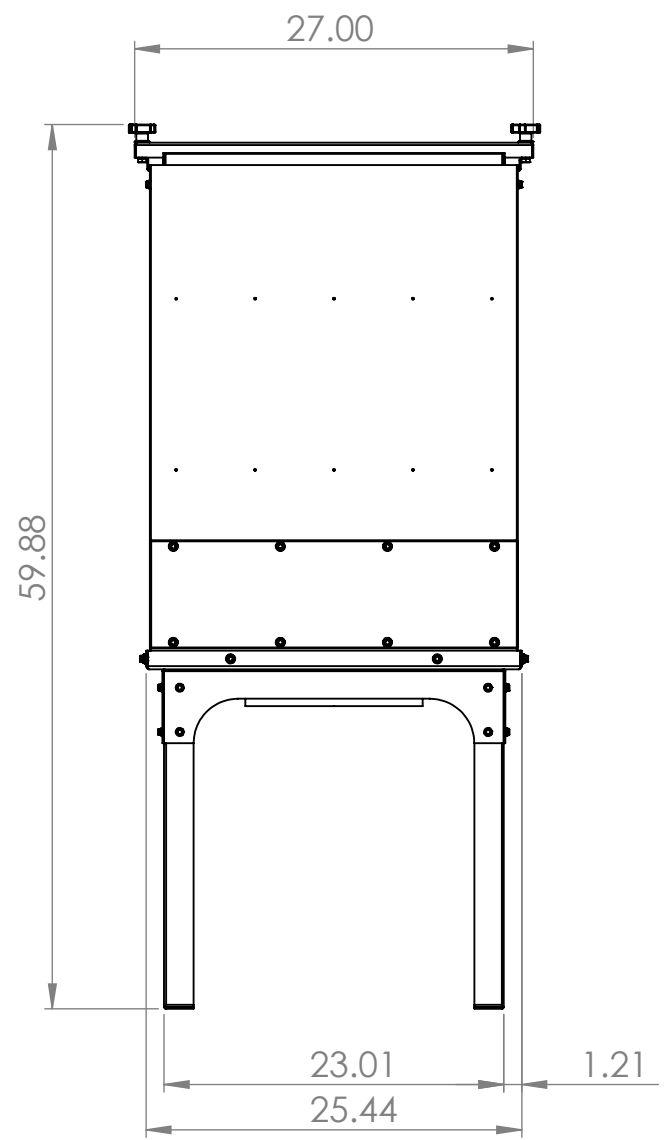
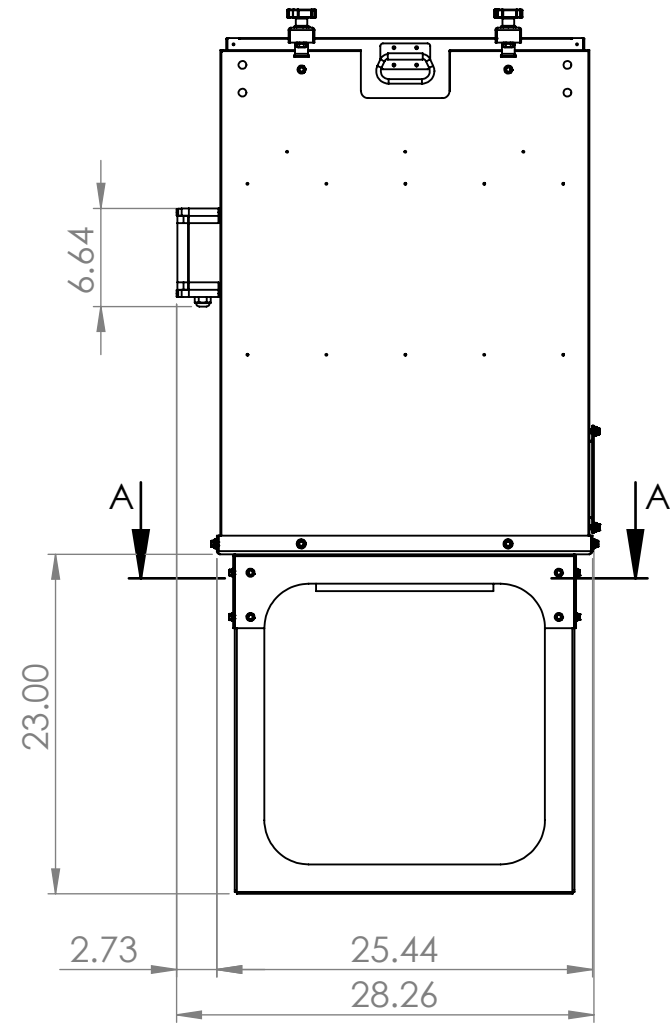
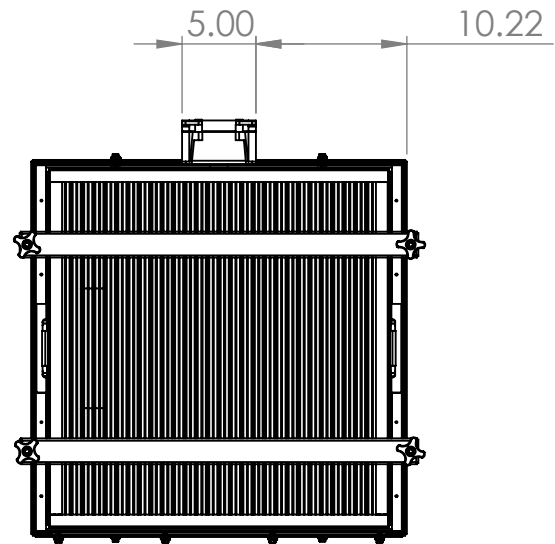
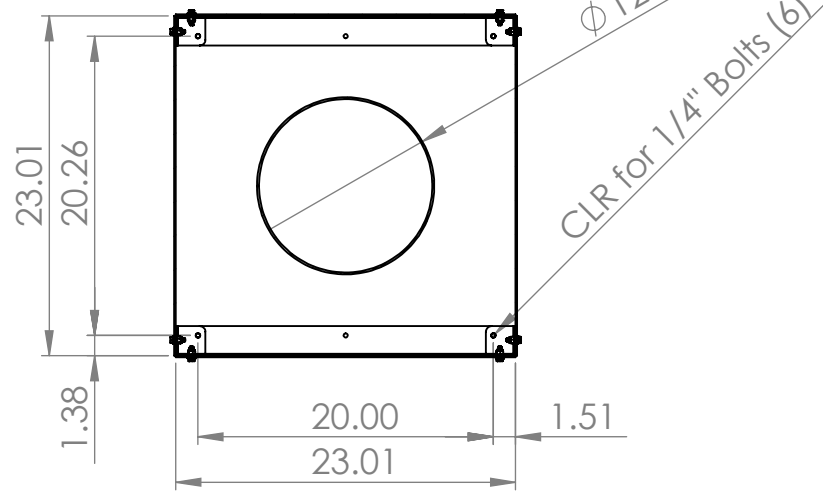
Dwg. No. **M20MBD-0017-B** Size **B**

Date: April 29, 2019 Drawn: T.B. Do not scale drawing Sheet 1 of 1

8 7 6 5 4 3 2 1



FOOTPRINT VIEW
SECTION A-A
SCALE 1 : 13



AEROEX Aeroex Technologies Inc.
17 Hamilton Road
Barrie, On L4N 8Y6
Tel. 705-734-0199

Title:		Mist-Fit MF-1950 with 23" Stand	
Dwg. No.		MF-1950-017-B	
Date:	March 27, 2019	Drawn:	T.B.
		Do not scale drawing	
		Sheet 1 of 1	

Size
B