

8 7 6 5 4 3 2 1

D
C
B
A

Leave adequate clearance to ceiling for filter changes

1/2" Threaded Rod (x4) complete with 1/2" Washers and Hex Nuts Customer Supply

Mist-Fit MF-1950 with Suspension Bracket installed

Access Door Leave adequate clearance for filter change

Base Plate

Hex Bolt 1/4"-20 (x8) with 1/4" Sealing Washer

Hose Clamp 12"

Suction Hose 12"

Hose Clamp 12"

Hex Bolt 1/4"-20 (x6) Machine Adaptor 12"

Apply a sealant to mating surface of Machine Adaptor

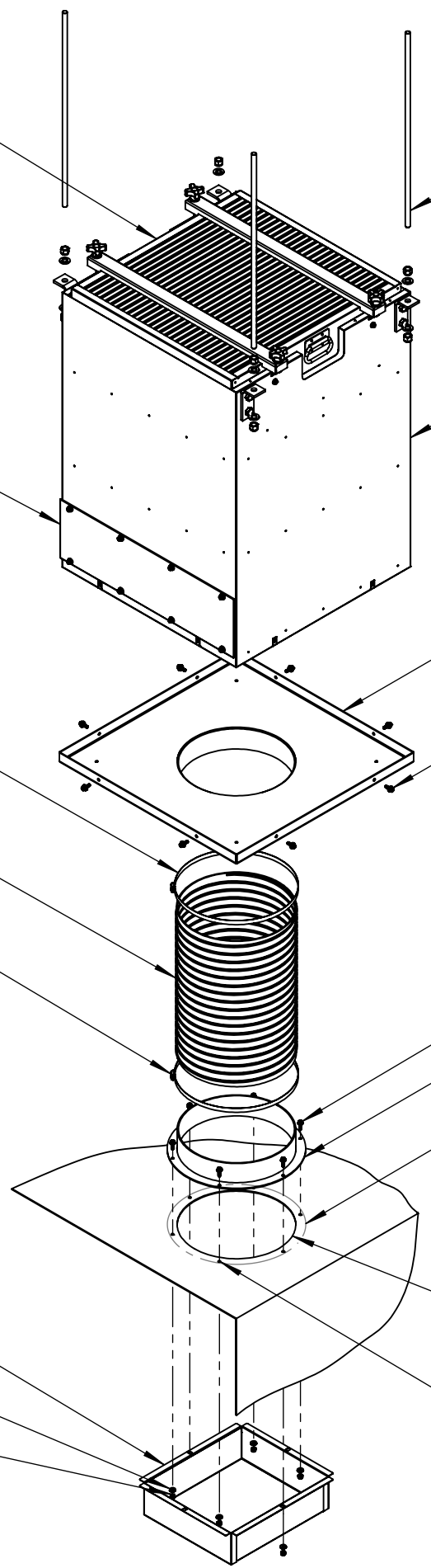
Chip Strainer 12"

Cut a 12 inch diameter hole in a suitable location if no machine knock out is provided

Sealing Washer 1/4" (x6)

Hex Nut 1/4"-20 (x6)

Drill clearance holes for 1/4" bolts use Machine Adaptor as a template and drill to suit



AEROEX Aeroex Technologies Inc.
 17 Hamilton Road
 Barrie, On L4N 8Y6
 Tel. 705-734-0199

Title: **Installation, MF-1950, Suspended**

Dwg. No. **M20MBD-0021-B** Size **B**

Date: May 1, 2019 Drawn: T.B. Do not scale drawing Sheet 1 of 1

8 7 6 5 4 3 2 1