

Leave adequate clearance to ceiling for filter changes

Access Door  
Leave adequate clearance for filter change

Hex Bolt 1/4"-20 (x4) with 1/4" Sealing Washer

Mist-Fit MF-1050

Base Plate

Hex Bolt 1/4"-20 (x8) with 1/4" Sealing Washer

Stand 13" high  
Hex Bolt 1/4"-20 (x6)

Suction Hose 8"

Hex Nut 1/4"-20 (x4)

Hose Clamp 8" (x2)

Hex Bolt 1/4"-20 (x6)

Machine Adaptor 8"

Apply a sealant to mating surface of Machine Adaptor

Chip Strainer 8" Std.

Sealing Washer 1/4" (x6)

Hex Nut 1/4"-20 (x6)

Cut a 8 inch diameter hole in a suitable location if no machine knock out is provided

Drill clearance holes for 1/4" bolts use Stand as a template and drill to suit

Sealing Washer 1/4" (x6)

Hex Nut 1/4"-20 (x6)



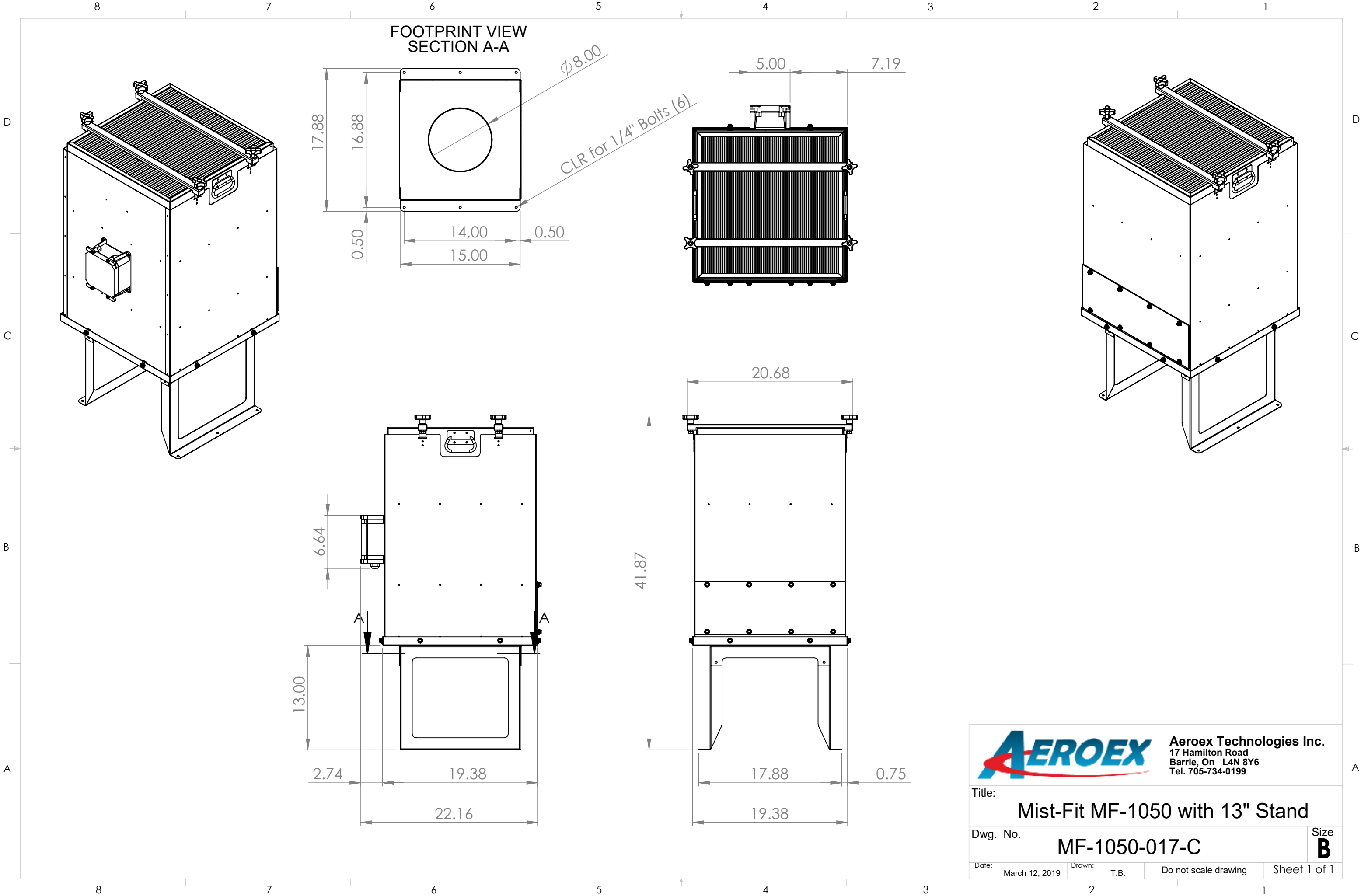
**Aeroex Technologies Inc.**  
17 Hamilton Road  
Barrie, On L4N 8Y6  
Tel. 705-734-0199


Title: **Installation, MF-1050, Stand with Hose**

Dwg. No. **M10MBD-0017-C** Size **B**

Date: March 14, 2019 Drawn: T.B. Do not scale drawing Sheet 1 of 1

FOOTPRINT VIEW  
SECTION A-A



|   |             |  |              |
|---|-------------|--|--------------|
|  |             | <b>Aeroex Technologies Inc.</b><br>17 Hamilton Road<br>Barrie, On L4N 8Y6<br>Tel. 705-734-0199 |              |
| Title: <b>Mist-Fit MF-1050 with 13" Stand</b>   |             |  |              |
| Dwg. No. <b>MF-1050-017-C</b>   |             | Size <b>B</b>  |              |
| Date: March 12, 2019  | Drawn: T.B. | Do not scale drawing   | Sheet 1 of 1 |