

8 7 6 5 4 3 2 1

D  
C  
B  
A

D  
C  
B  
A

Leave adequate clearance  
to ceiling for filter changes

Access Door  
Leave adequate clearance  
for filter change

Mist-Fit MF-1050

Pedestal

Hex Bolt 1/4"-20 (x8)  
with 1/4" Sealing Washer

Pedestal Base 10.5" x 10.5"

CNC Machine Top  
with obstructions  
unsuitable for standard Base Plate

Hex Bolt 1/4"-20 (x8)

Cut a 8 inch diameter hole  
in a suitable location  
if no machine knock out is provided

Drill clearance holes for 1/4" bolts  
use Pedestal as a template  
and drill to suit

Sealing Washer 1/4" (x8)

Hex Nut 1/4"-20 (x8)

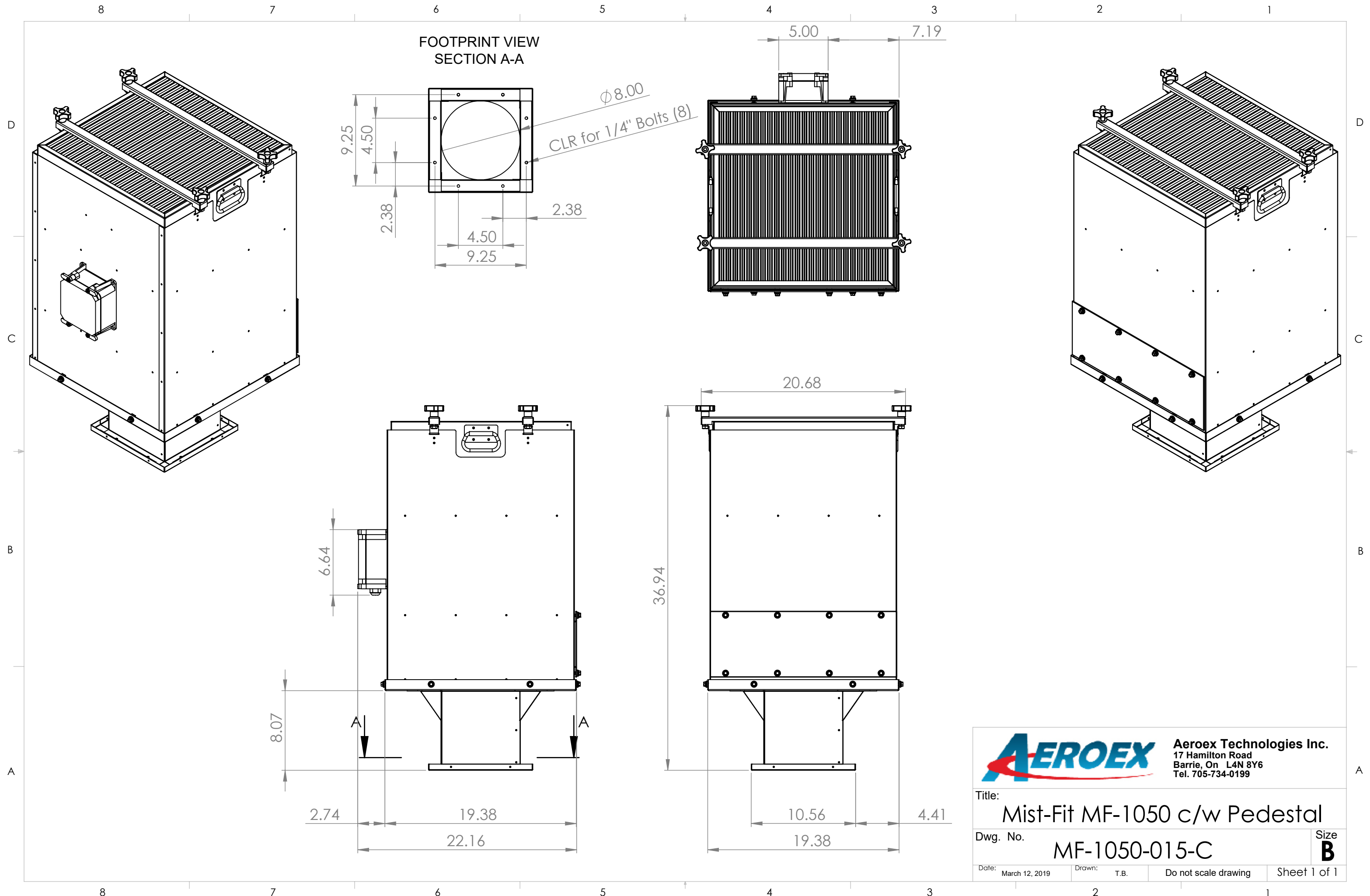
Apply a sealant  
to mating surface  
if required



**Aeroex Technologies Inc.**  
17 Hamilton Road  
Barrie, On L4N 8Y6  
Tel. 705-734-0199

Title: <b>Installation, MF-1050, Pedestal</b>			
Dwg. No.	<b>M10MBD-0015-C</b>		Size <b>B</b>
Date: March 12, 2019	Drawn: T.B.	Do not scale drawing	Sheet 1 of 1

8 7 6 5 4 3 2 1



**AEROEX** Aeroex Technologies Inc.  
 17 Hamilton Road  
 Barrie, On L4N 8Y6  
 Tel. 705-734-0199

Title: Mist-Fit MF-1050 c/w Pedestal

Dwg. No. MF-1050-015-C Size **B**

Date: March 12, 2019    Drawn: T.B.    Do not scale drawing    Sheet 1 of 1