

8 7 6 5 4 3 2 1

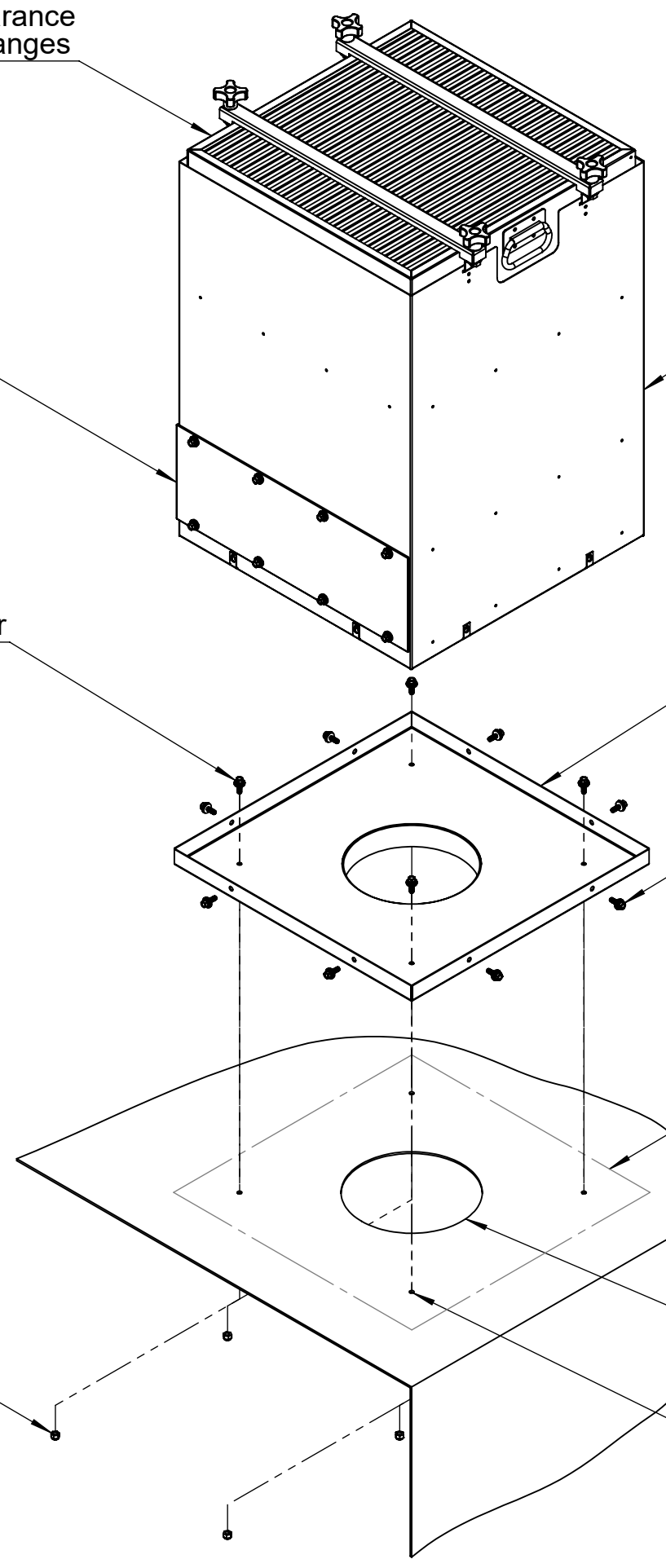
D
C
B
A

Leave adequate clearance to ceiling for filter changes

Access Door
Leave adequate clearance for filter change

Hex Bolt 1/4"-20 (x4) with 1/4" Sealing Washer

Hex Nut 1/4"-20 (x4)



Mist-Fit MF-1050

Base Plate

Hex Bolt 1/4"-20 (x8) with 1/4" Sealing Washer

Base Plate 19.38" x 19.38"

CNC Machine Top

Cut a 8 inch diameter hole (minimum) in a suitable location if no machine knock out is provided

Drill clearance holes for 1/4" bolts use Base Plate as a template and drill to suit

8 7 6 5 4 3 2 1

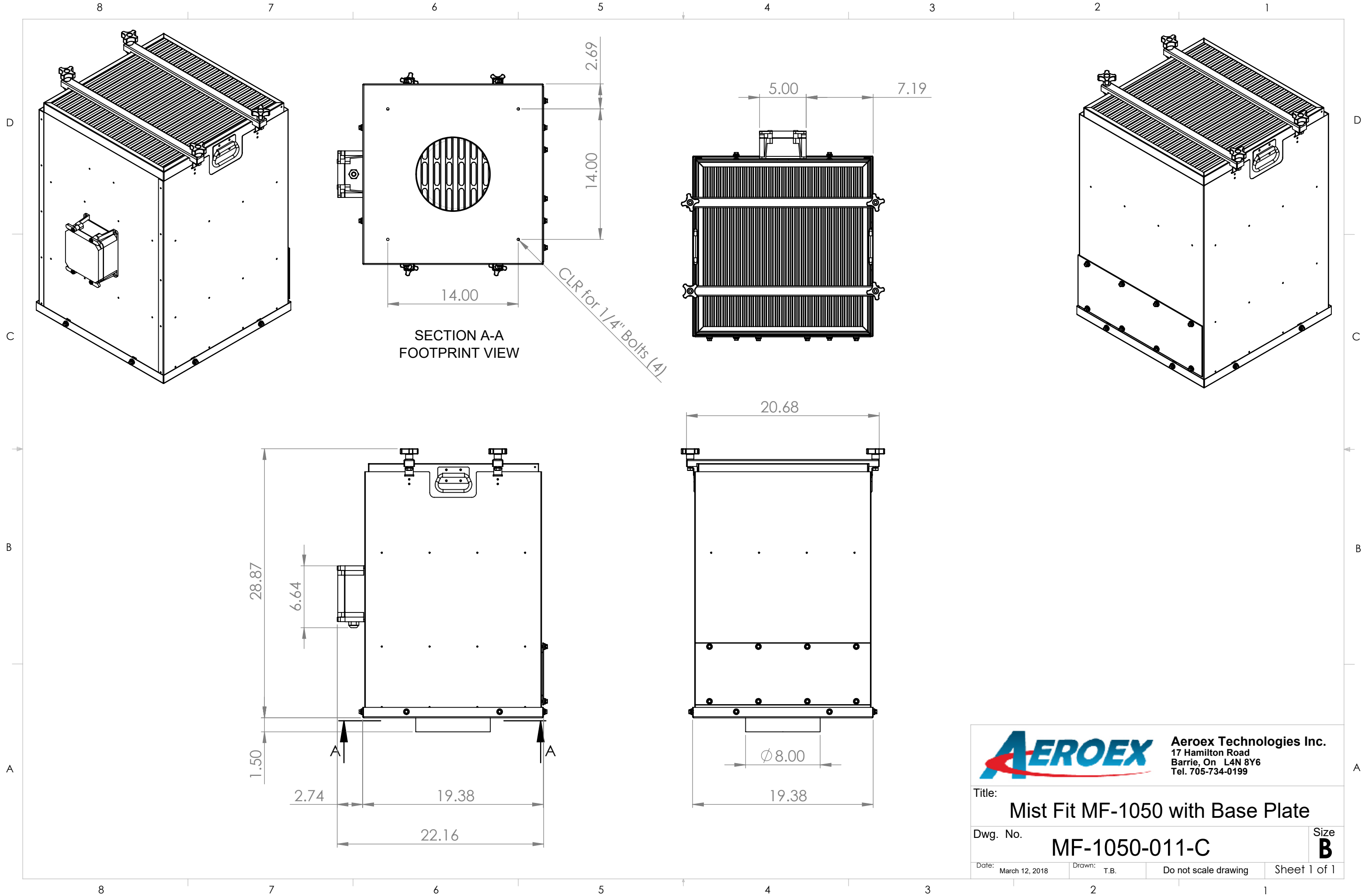
AEROEX Aeroex Technologies Inc.
 17 Hamilton Road
 Barrie, On L4N 8Y6
 Tel. 705-734-0199

Title: Installation, MF-1050, Base Plate

Dwg. No. M10MBD-0011-C Size **B**

Date: March 12, 2019 Drawn: T.B. Do not scale drawing Sheet 1 of 1

D
C
B
A



AEROEX Aeroex Technologies Inc.
 17 Hamilton Road
 Barrie, On L4N 8Y6
 Tel. 705-734-0199

Title: Mist Fit MF-1050 with Base Plate

Dwg. No. MF-1050-011-C Size **B**

Date: March 12, 2018 Drawn: T.B. Do not scale drawing Sheet 1 of 1