



# **AEROEX Technologies Inc.**

## **Oil Mist Eliminator**

ROX-400/600/800/1100/2000



## **Installation & Service Manual**

[www.aeroex.com](http://www.aeroex.com)

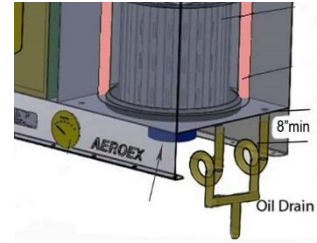
AEROEX Technologies Inc.  
17 Hamilton Rd  
Barrie, ON Canada, L4N 8Y6  
Tel: 705-734-0199 Fax 705-734-1013

705-734-0199  
[sales@aeroex.com](mailto:sales@aeroex.com)  
[orderdesk@aeroex.com](mailto:orderdesk@aeroex.com)

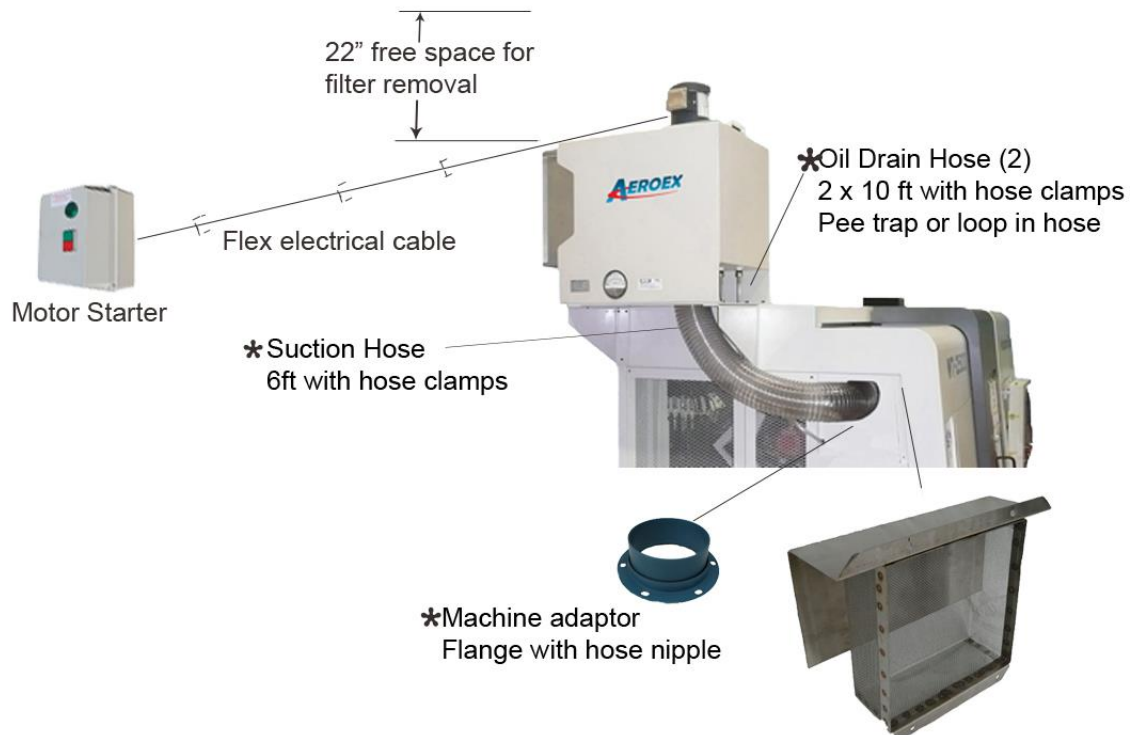


## Installation:

- Mount mist collector level.
- Units can be mounted directly on top of machines, on a post or on the wall.
- Ensure that there is 20" free space above to open lid and remove filters.
- Minimize the length of ducting to avoid air flow losses.
- Metal ducting or flexible hose can be used.
- Do not locate suction intake on machining applications in direct line of the cutting spray.
- A chip strainer mounted in the machine (CNC) enclosure is recommended.
- Connect the 2 oil drain lines using a pee trap (5") or loop in hose.
- Loop in hose must be minimum 8" below connection, no max.
- Connect into 1 hose after pee traps.
- Fill pee traps with water or oil to create air lock.
- Install motor starter and set overloads.
- Connect electrical power to motor using a flexible cable.
- Check motor rotation.



### Typical installation:



### **Installation Options:**

- \*Installation kit
- Motor starter control panel.
- Floor mount stand
- Wall mount stand

- \*Chip Strainer with baffle deflector
- Mount in machine tool enclosure

## Maintenance:

The mist collector can operate for long periods without maintenance. The maintenance period will depend on the type of oil & solids/chips in air stream. Some soluble oil & synthetic concentrates will congeal requiring the mechanical separator elements and agglomerator filter media to be manually cleaned/washed. The air flow will reduce if this happens.

Inspect the unit after 3 months, 6 months & 1 year to establish the maintenance interval. If there is no fouling, the mist separator can run indefinitely without maintenance. It is recommended that the 2<sup>nd</sup> stage agglomerator filter media be replaced every 10 years.


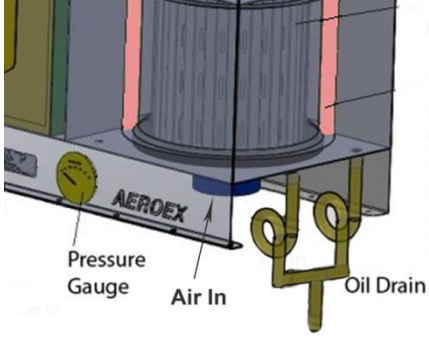

HEPA filter replacement:  
Replace when magnehelic pressure gauge reaches 3" wg

Note:  
If 2<sup>nd</sup> stage filter is plugged, no air flow will be go to 3<sup>rd</sup> stage filter and pressure reading will be low.



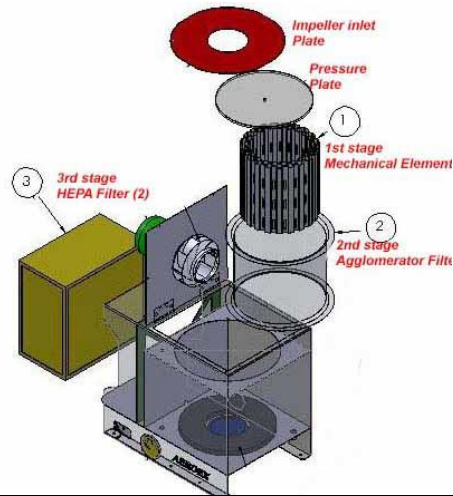
## Disassembly:







<p>Disconnect and lock-out electrical power.</p> <p>Remove bolts (4) on hinged lid.</p> <p>Lid jack nut. Insert 3/8" bolt and jack lid up to open.</p>		
<p>Remove the bolts on impeller inlet plate and remove.</p>		
<p>Remove nut on pressure plate and remove.</p>		
<p>Remove 1<sup>st</sup> stage mechanical separation elements. They can be disassembled for cleaning by removal of the bolts (6).</p> <p>Remove 2<sup>nd</sup> stage filter media (agglomerator). This is a permanent media and can be washed many times.</p>		

<p>On models prior to Jan 2013</p> <p>Replace bottom foam gasket each time HEPA filter is changed.</p>		
<p>Check oil drain line, clean if necessary.</p>	 <p>Pressure Gauge    Air In    Oil Drain</p>	
<p>To remove to remove 3<sup>rd</sup> stage filter (HEPA), loosen straps.</p>		

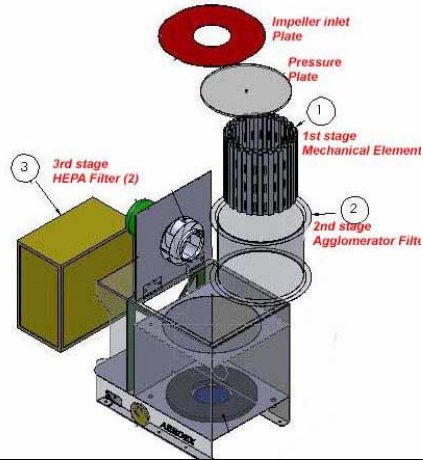
## Filter Options





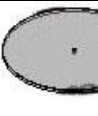

ROX-400 / 600



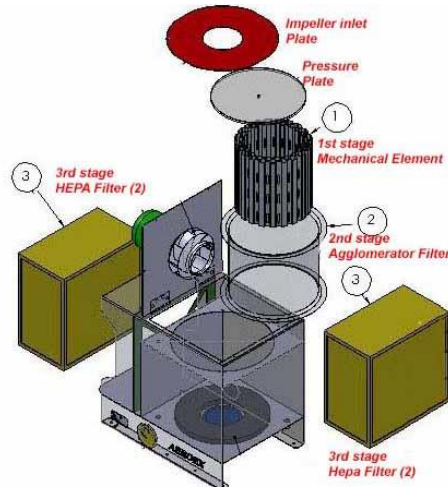
Item		Description	Part #	Qty
1		1 <sup>st</sup> Stage Mechanical Element ROX-400 / 600	600ME-002	1
2		2 <sup>nd</sup> Stage Agglomerator Filter ROX-400 / 600 Coolant	600AF-012	1
3		2 <sup>nd</sup> stage agglomerator filter, for used with filter ring ROX-400 / 600 <i>Use on sticky or high solids coolant applications</i> <i>Use on oil applications</i>	600AF-2010	1
4		2 <sup>nd</sup> stage agglomerator filter ring		
(a) (b)		ROX-400 / 600 filter ring, coolant ROX-400 / 600 filter ring, oil	600FR-2204 600FR-2206	1 1
5		Pressure Plate for Filter Ring  <i>One time purchase when converting to filter ring.</i>	600PP-2002	1
6		3 <sup>rd</sup> stage HEPA filter		
(a)		95% @ 0.3 $\mu\text{m}$ , prior to 2015	600HF-095	1
(b)		95% @ 0.3 $\mu\text{m}$ , after Jan 2015	600HF2095	1
(c)		99.97% @ 0.3 $\mu\text{m}$ , prior to 2015	600HF-099	1
(d)	99.97% @ 0.3 $\mu\text{m}$ , after Jan 2015	600HF2099	1	
		<i>Check part# before ordering</i>		

ROX-800 / 1100



Item		Description	Part #	Qty
1		1 <sup>st</sup> Stage Mechanical Element ROX-800 / 1100	1100ME-002	1
2		2 <sup>nd</sup> Stage Agglomerator Filter ROX-800 / 1100 Coolant	1100AF-012	1
3		2 <sup>nd</sup> stage agglomerator filter, for used with filter ring ROX-800 / 1100 <i>Use on sticky or high solids coolant applications</i> <i>Use on oil applications</i>	1100AF-2010	1
4		2 <sup>nd</sup> stage agglomerator filter ring		
(a)		ROX-800 / 1100 filter ring, coolant	1100FR-2204	1
(b)		ROX-800 / 1100 filter ring, oil	1100FR-2206	1
5		Pressure Plate for Filter Ring <i>One time purchase when converting to filter ring.</i>	1100PP-2002	1
6		3 <sup>rd</sup> stage HEPA filter		
(a)		95% @ 0.3 µm, prior to 2015	2000HF-095	1
(b)		95% @ 0.3 µm, after Jan 2015	2000HF2095	1
(c)		99.97% @ 0.3 µm, prior to 2015	2000HF-099	1
(d)		99.97% @ 0.3 µm, after Jan 2015	2000HF2099	1
		<i>Check part# before ordering</i>		

ROX-2000



Item		Description	Part #	Qty
1		1 <sup>st</sup> Stage Mechanical Element ROX-2000	2000ME-002	1
2		2 <sup>nd</sup> Stage Agglomerator Filter ROX-2000 Coolant	2000AF-012	1
4		2 <sup>nd</sup> stage agglomerator filter, for used with filter ring ROX-2000 <i>Use on sticky or high solids coolant applications</i> <i>Use on oil applications</i>	2000AF-2010	1
5		2 <sup>nd</sup> stage agglomerator filter ring		
(a)		ROX-2000 filter ring, coolant	2000FR-2204	1
(b)		ROX-2000 filter ring, oil	2000FR-2206	1
		Pressure Plate for Filter Ring  <i>One time purchase when converting to filter ring.</i>	2000PP-2002	1
6		3 <sup>rd</sup> stage HEPA filter		
(a)		95% @ 0.3 $\mu\text{m}$ , prior to 2015	2000HF-095	2
(b)		95% @ 0.3 $\mu\text{m}$ , after Jan 2015	2000HF2095	2
(c)		99.97% @ 0.3 $\mu\text{m}$ , prior to 2015	2000HF-099	2
(d)		99.97% @ 0.3 $\mu\text{m}$ , after Jan 2015	2000HF2099	2
		<i>Note: 2 HEPA filters per unit.</i> <i>Check part# before ordering</i>		