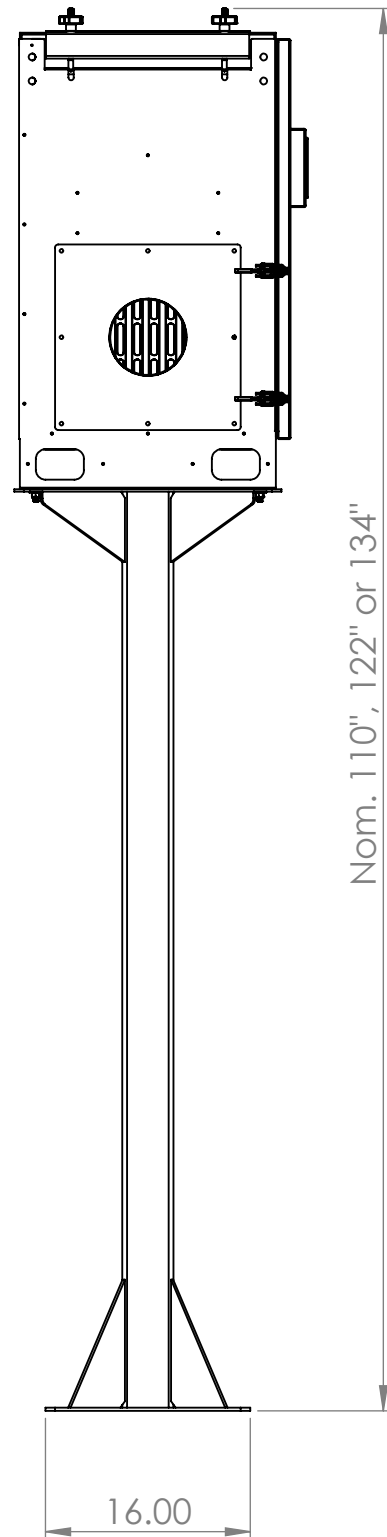


**Note:**

Allow adequate clearance to ceiling for discharge air  
Minimum 12"

D  
C  
B  
A

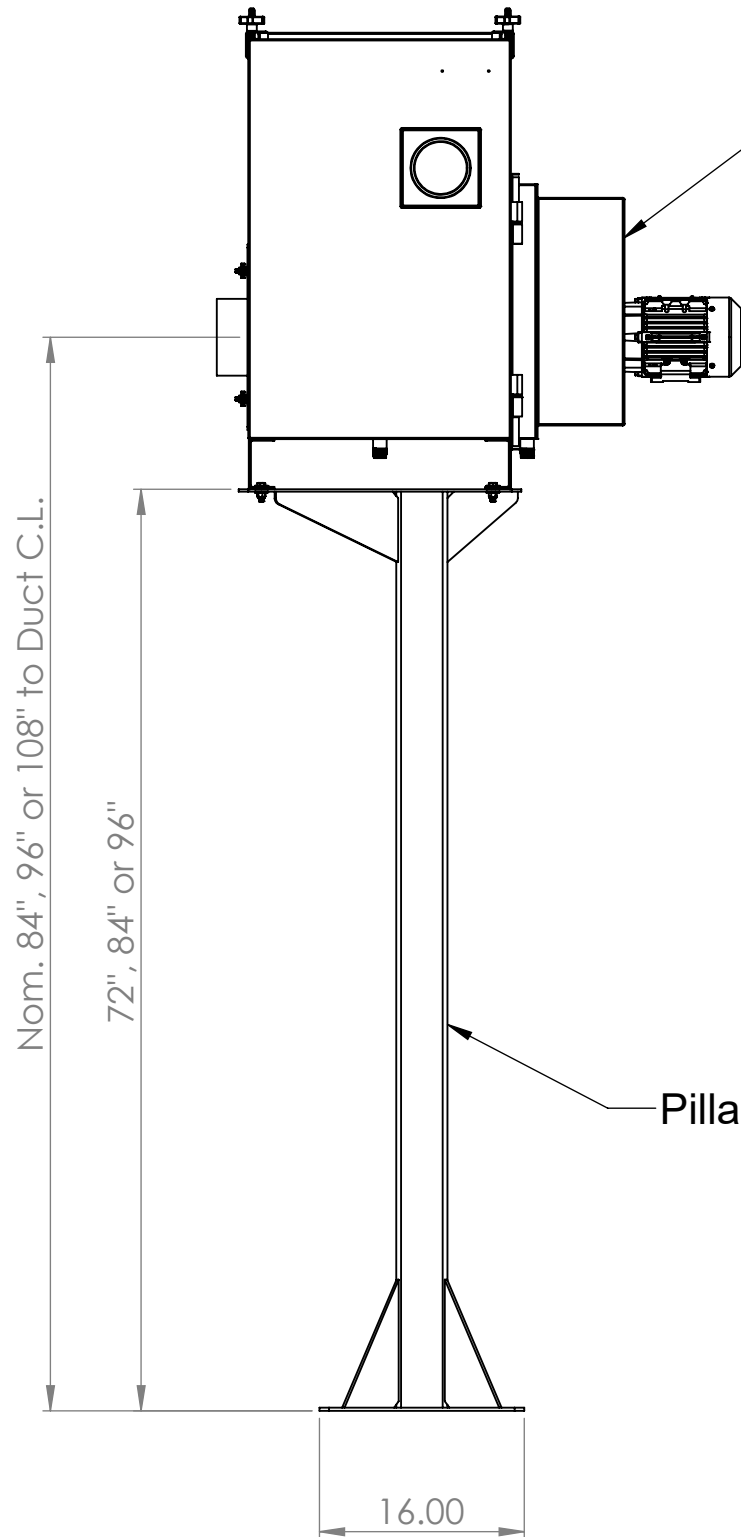


**Note:**

Allow minimum 30" clearance on door side for filter changes

**Note:**

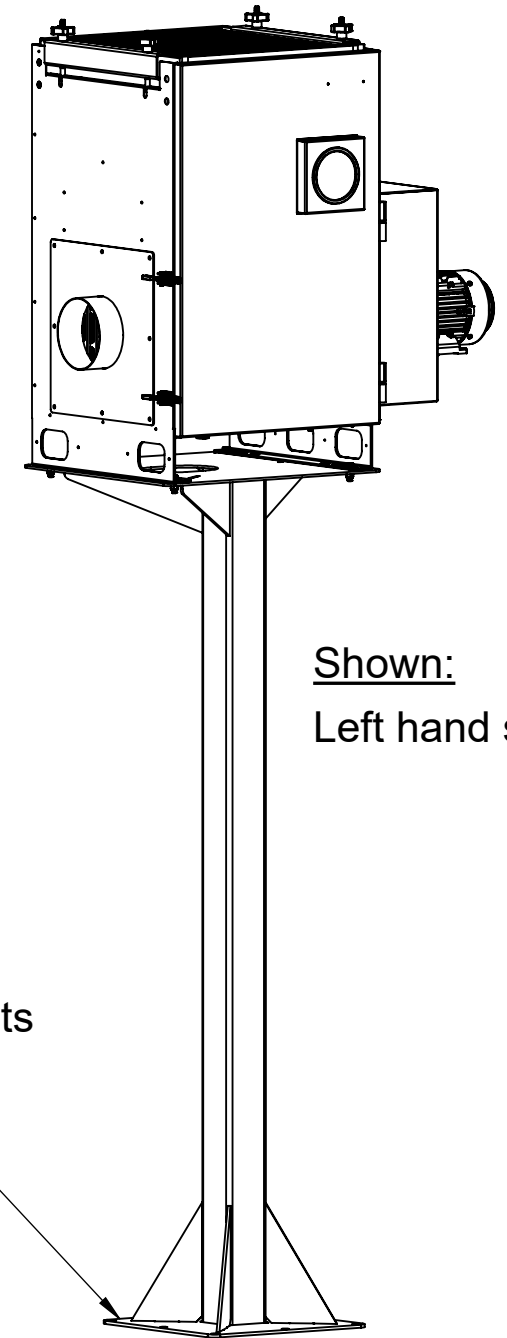
Unit must be installed on the Pillar Stand in the orientation shown



ARO-600-LH

Footprint: 16.0" x16.0"

Use minimum 1/2" Anchor Bolts  
(8) Customer supply



Shown:  
Left hand suction

D  
C  
B  
A

**AEROEX** Aeroex Technologies Inc.  
17 Hamilton Road  
Barrie, On L4N 8Y6  
Tel. 705-734-0199

Title: <b>Pillar Stand ARO-600-D</b>			
Dwg. No. <b>099AMP-0001-XD</b>			Size <b>B</b>
Date: Jan. 22, 2019	Drawn: T.B.	Do not scale drawing	Sheet 1 of 1

8 7 6 5 4 3 2 1