

8 7 6 5 4 3 2 1

Note:

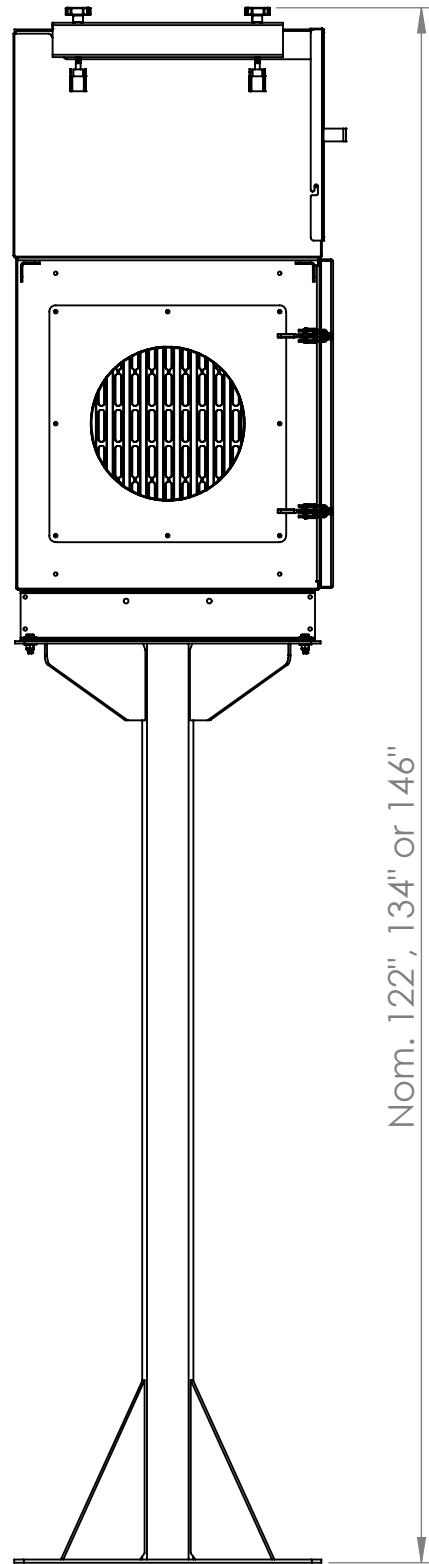
Allow adequate clearance to ceiling for discharge air
Minimum 12"

D

C

B

A



Nom. 122", 134" or 146"

Note:

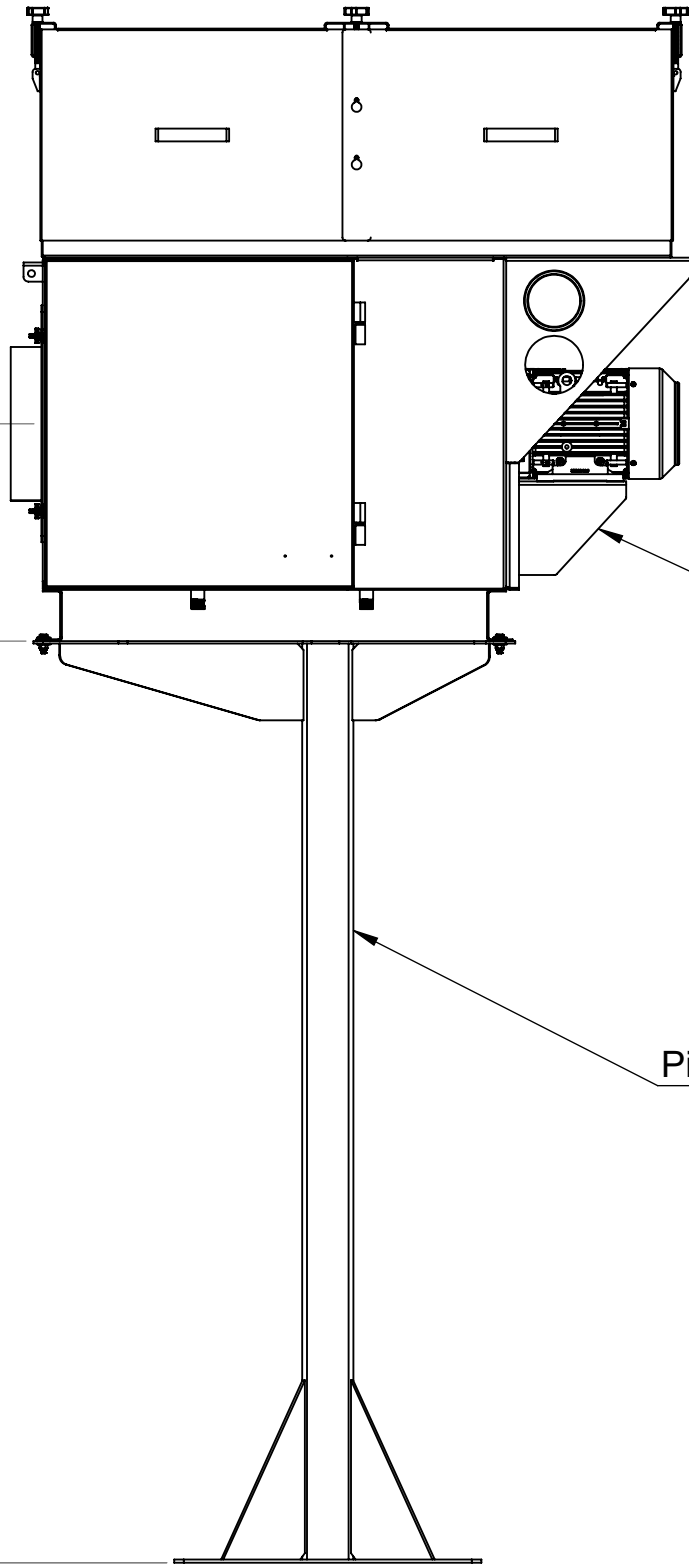
Unit must be installed on the Pillar Stand in the orientation shown

Note:

Allow minimum 30" clearance on door side for filter changes

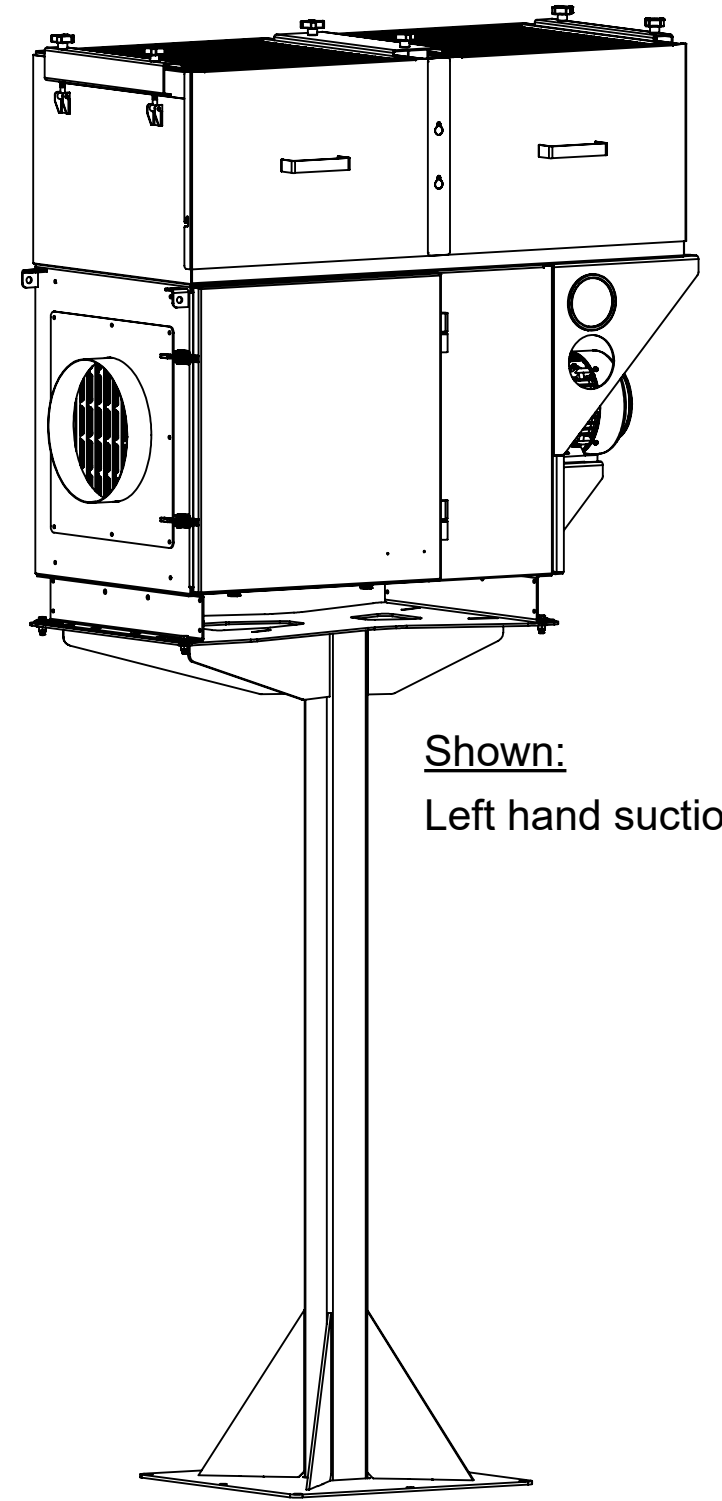
Nom. 89", 101" or 113" to Duct C.L.

Available 72", 84" Or 96"



ARO-2500-LH

Pillar Stand



Shown:
Left hand suction

D

C

B

A

8 7 6 5 4 3 2 1

AEROEX Aeroex Technologies Inc.
 17 Hamilton Road
 Barrie, On L4N 8Y6
 Tel. 705-734-0199

Title:		Pillar Stand ARO-2500	
Dwg. No.		099AMP-0003-XE	
Date:	January 31, 2019	Drawn:	T.B.
		Do not scale drawing	
		Sheet 1 of 1	

Size
B