

Chip Strainer 6in Standard  
099ACS-0004-XB

Machine Wall

Machine Adaptor 6in  
099AMS-0006-XB

Hex Nut 1/4"-20 (x4)

Fasten Chip Strainer using 2 bolts

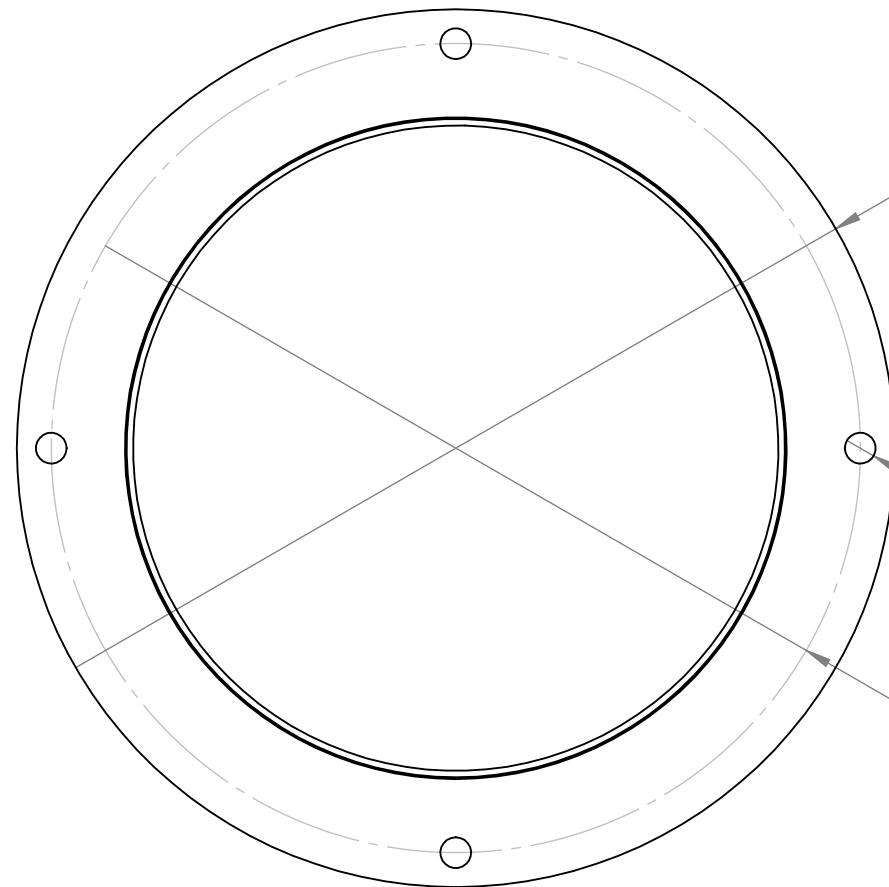
Optional: outside mounting holes

Hex Bolt 1/4"-20 (x4)

Drill clearance holes for 1/4" bolts  
(on a 7 3/8" bolt circle)

Cut a 6 inch diameter hole

		<b>Aeroex Technologies Inc.</b> 17 Hamilton Road Barrie, On L4N 8Y6 Tel. 705-734-0199	
Title: Machine Adaptor & Chip Strainer			
Dwg. No. Installation 6in std			Size <b>B</b>
Date: January 19, 2019	Drawn: T.B.	Do not scale drawing	Sheet 1 of 1



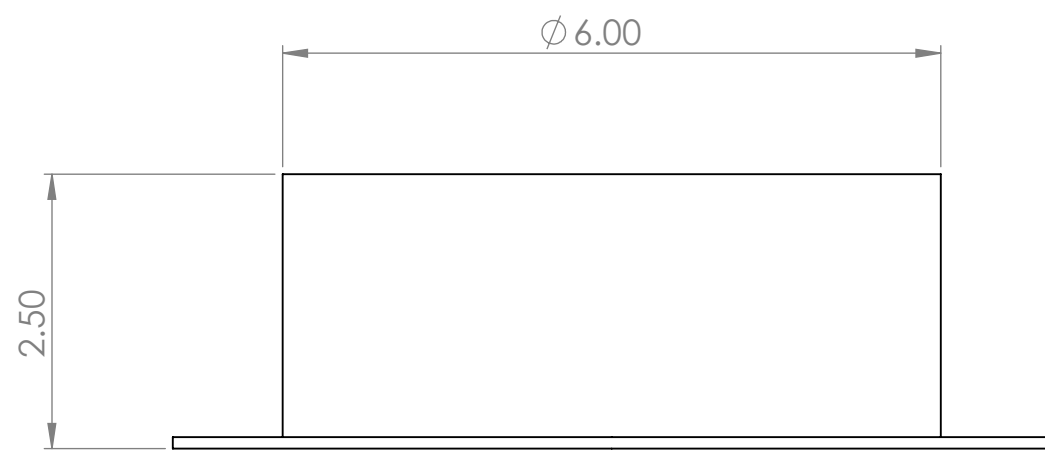
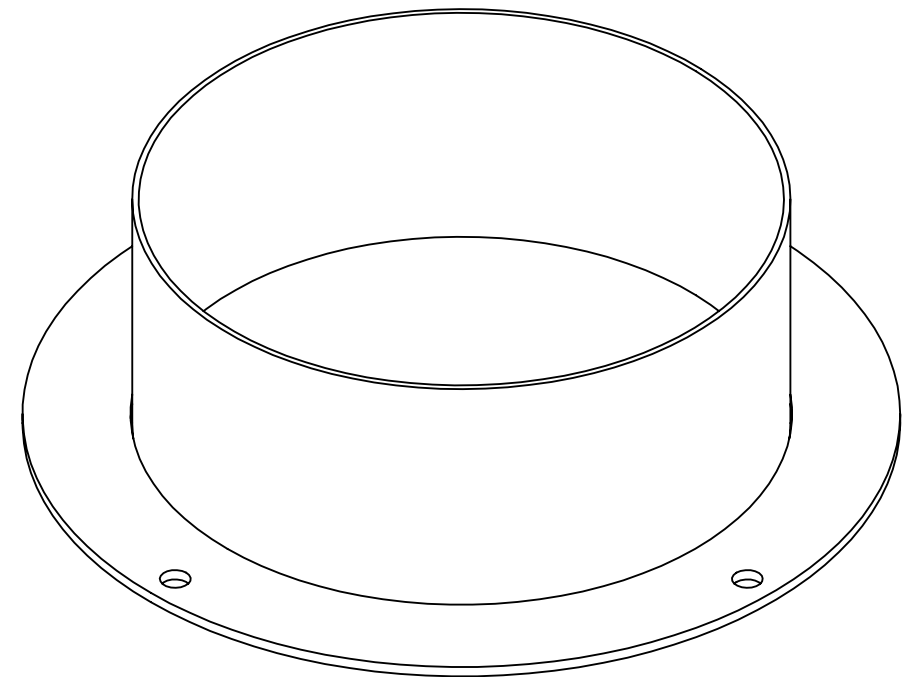
$\phi$  8.00 Nominal

Clear for 1/4" Bolts (4)

$\phi$  7.38 Bolt Circle

$\phi$  6.00

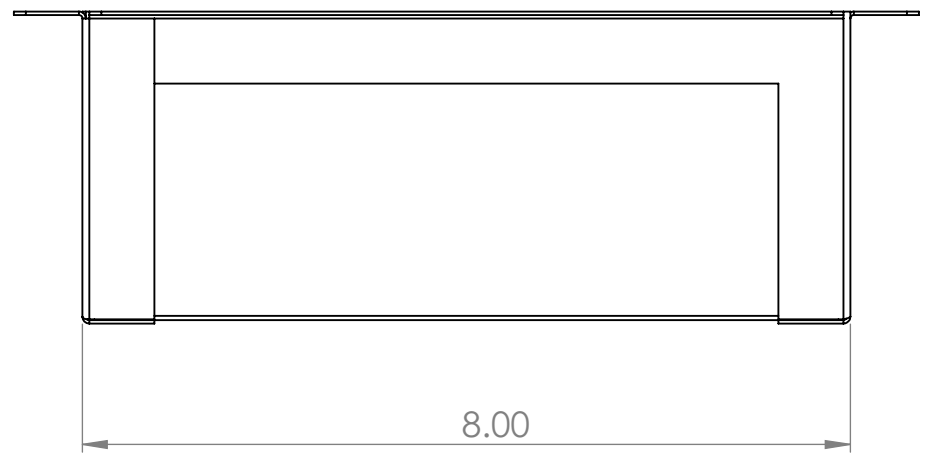
2.50



		<b>Aeroex Technologies Inc.</b> 17 Hamilton Road Barrie, On L4N 8Y6 Tel. 705-734-0199	
Title: Machine Adaptor 6in			
Dwg. No. 099AMS-0006-XB		Size <b>B</b>	
Date: October 17, 2018	Drawn: T.B.	Do not scale drawing	Sheet 2 of 2

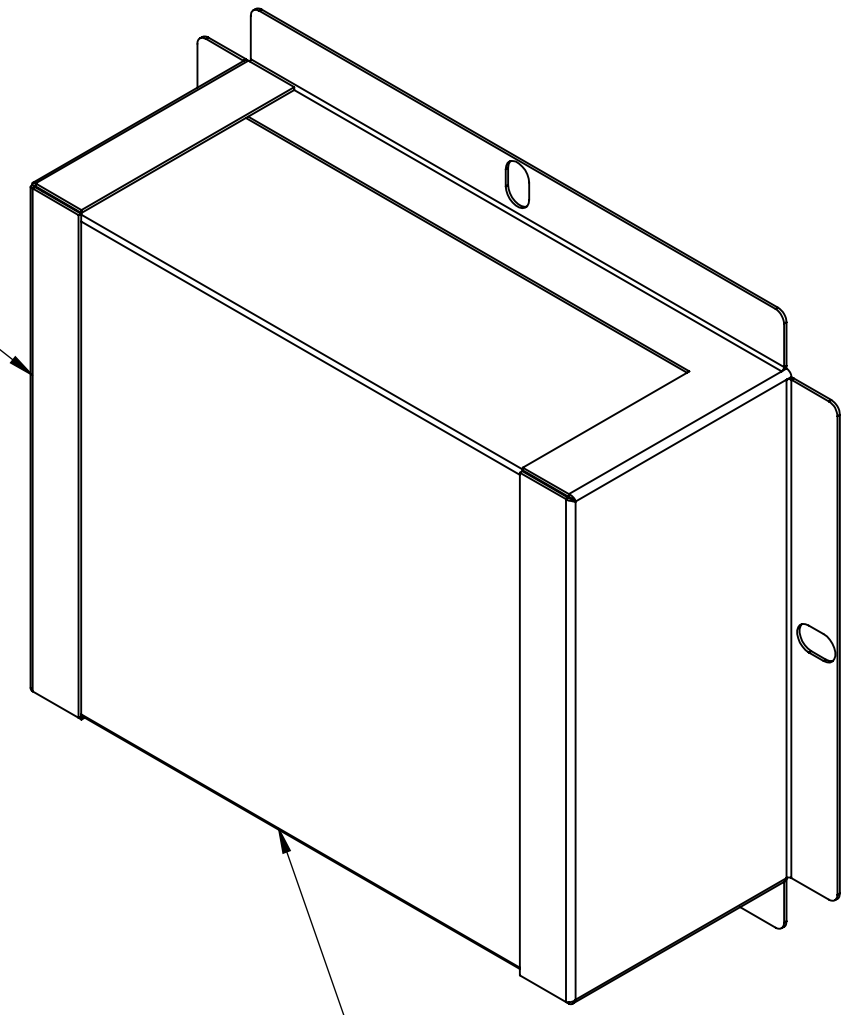
8 7 6 5 4 3 2 1

D  
C  
B  
A

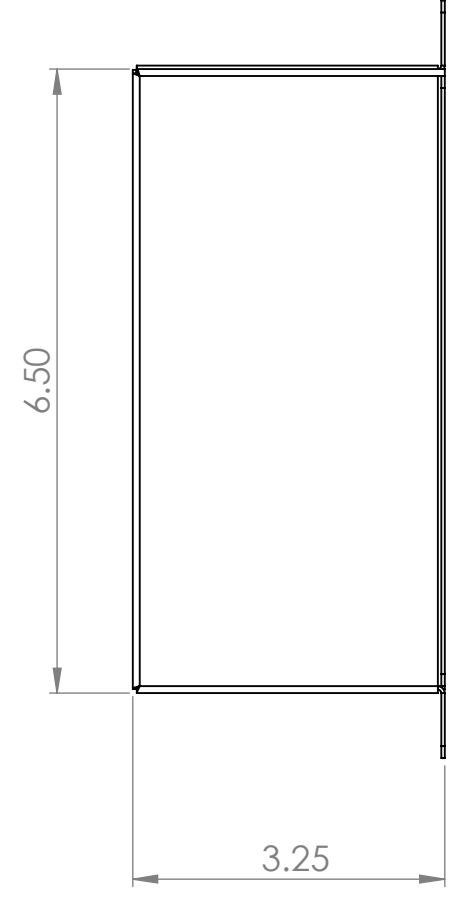
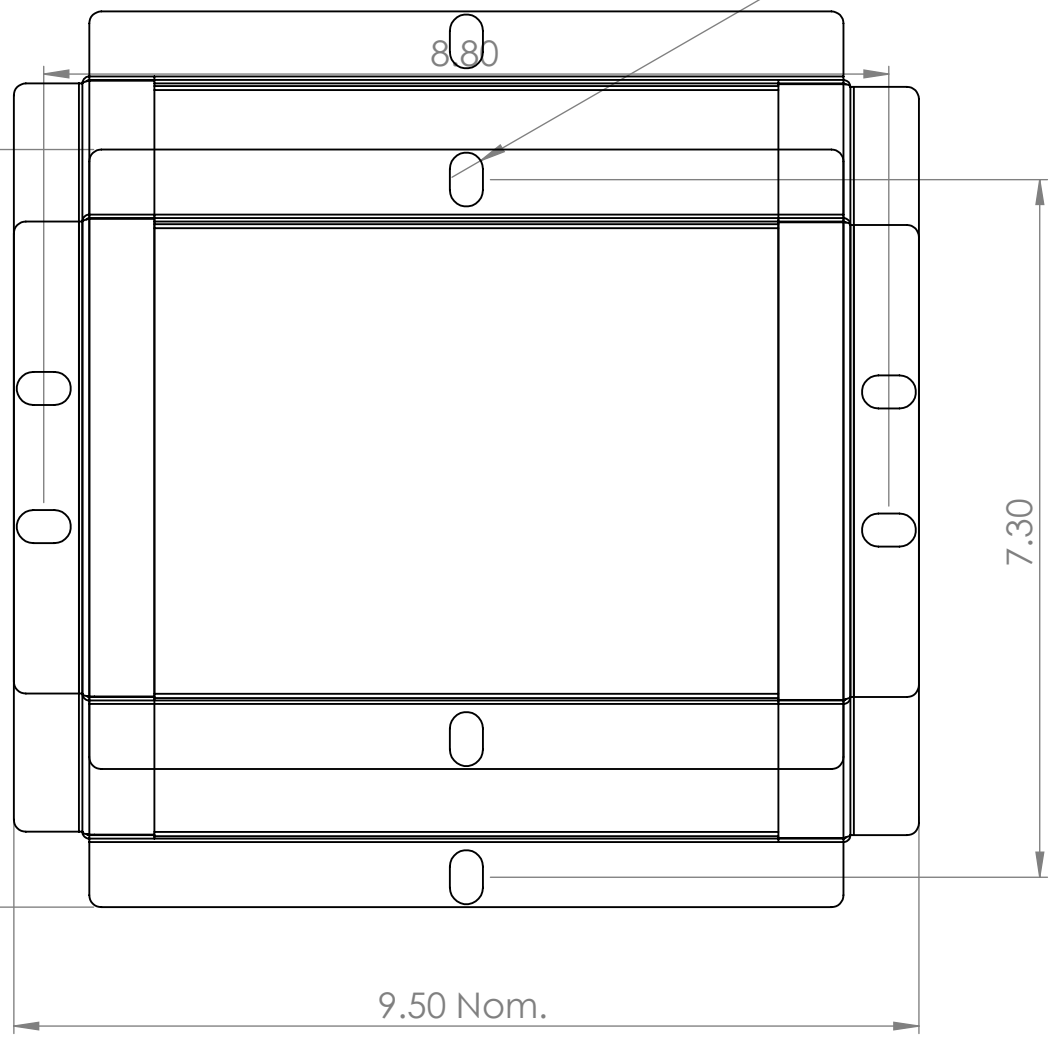


Stainless Steel Construction

Slots Cleared for 1/4 Bolts (Typ.)



Stainless Steel Mesh



8 7 6 5 4 3 2 1

**AEROEX** Aeroex Technologies Inc.  
 17 Hamilton Road  
 Barrie, On L4N 8Y6  
 Tel. 705-734-0199

Title: Standard 6in Chip Strainer

Dwg. No. 099ACS-0004-XB **Size B**

Date: February 21, 2019 Drawn: T.B. Do not scale drawing Sheet 2 of 2