

Chip Strainer 12in Standard  
099ACS-0007-XB

Hex Nut 1/4"-20 (x6)

Machine Wall

Machine Adaptor 12in  
099AMS-0012-XB

Hex Bolt 1/4"-20 (x6)

Fasten Chip Strainer using 2 bolts

Optional: outside mounting holes

Cut a 12 inch diameter hole

Drill clearance holes for 1/4" bolts  
(on a 13 3/8" bolt circle)



**Aeroex Technologies Inc.**  
17 Hamilton Road  
Barrie, On L4N 8Y6  
Tel. 705-734-0199

Title: Machine Adaptor & Chip Strainer

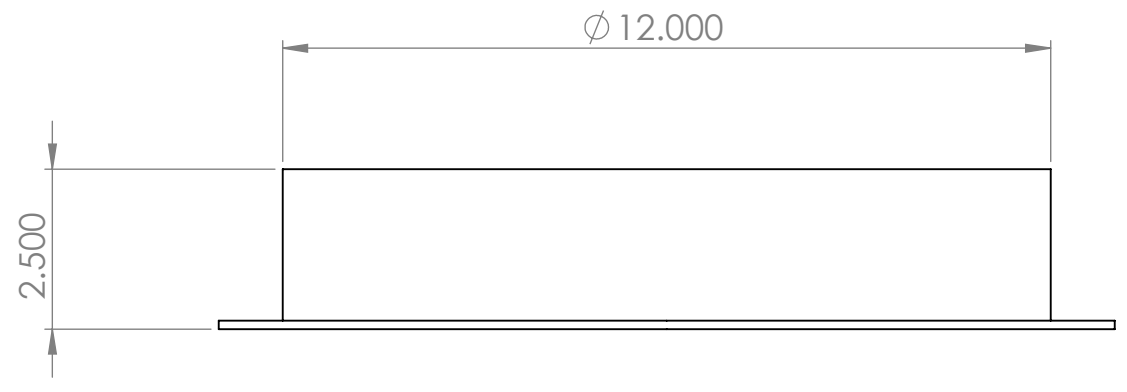
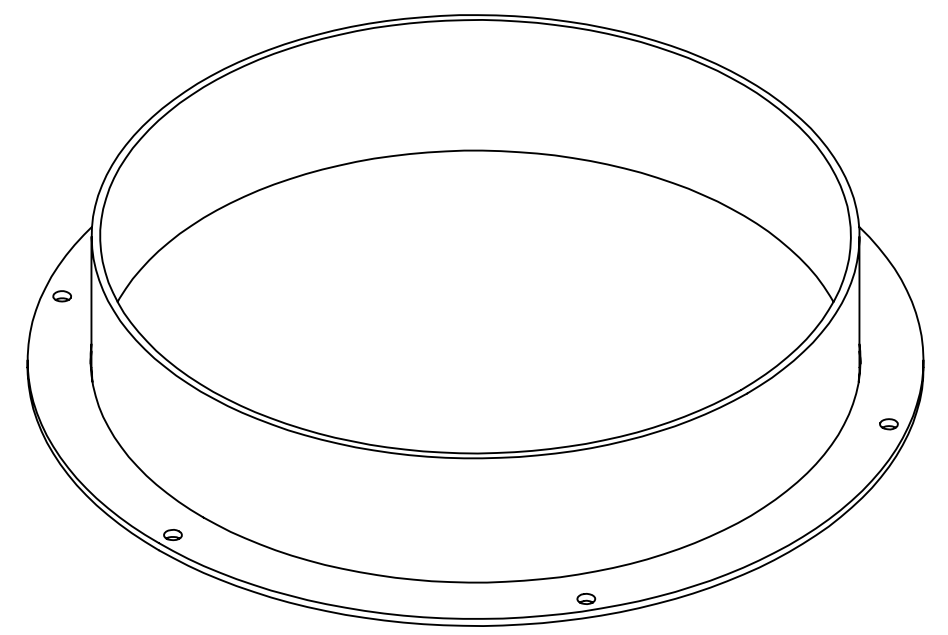
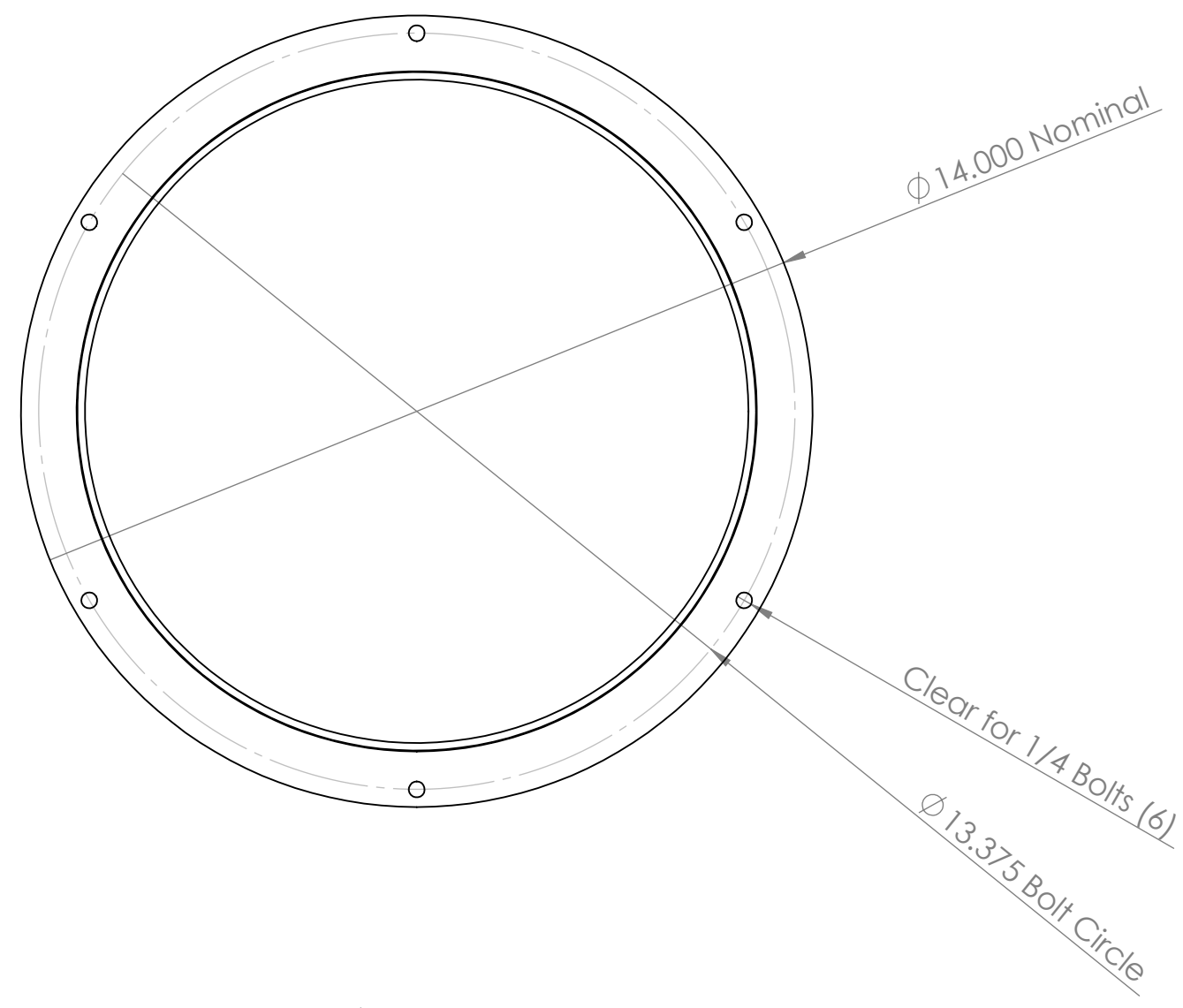
Dwg. No. Installation 12in std

Size  
**B**


Date: January 19, 2019	Drawn: T.B.	Do not scale drawing	Sheet 1 of 1
------------------------	-------------	----------------------	--------------

8 7 6 5 4 3 2 1

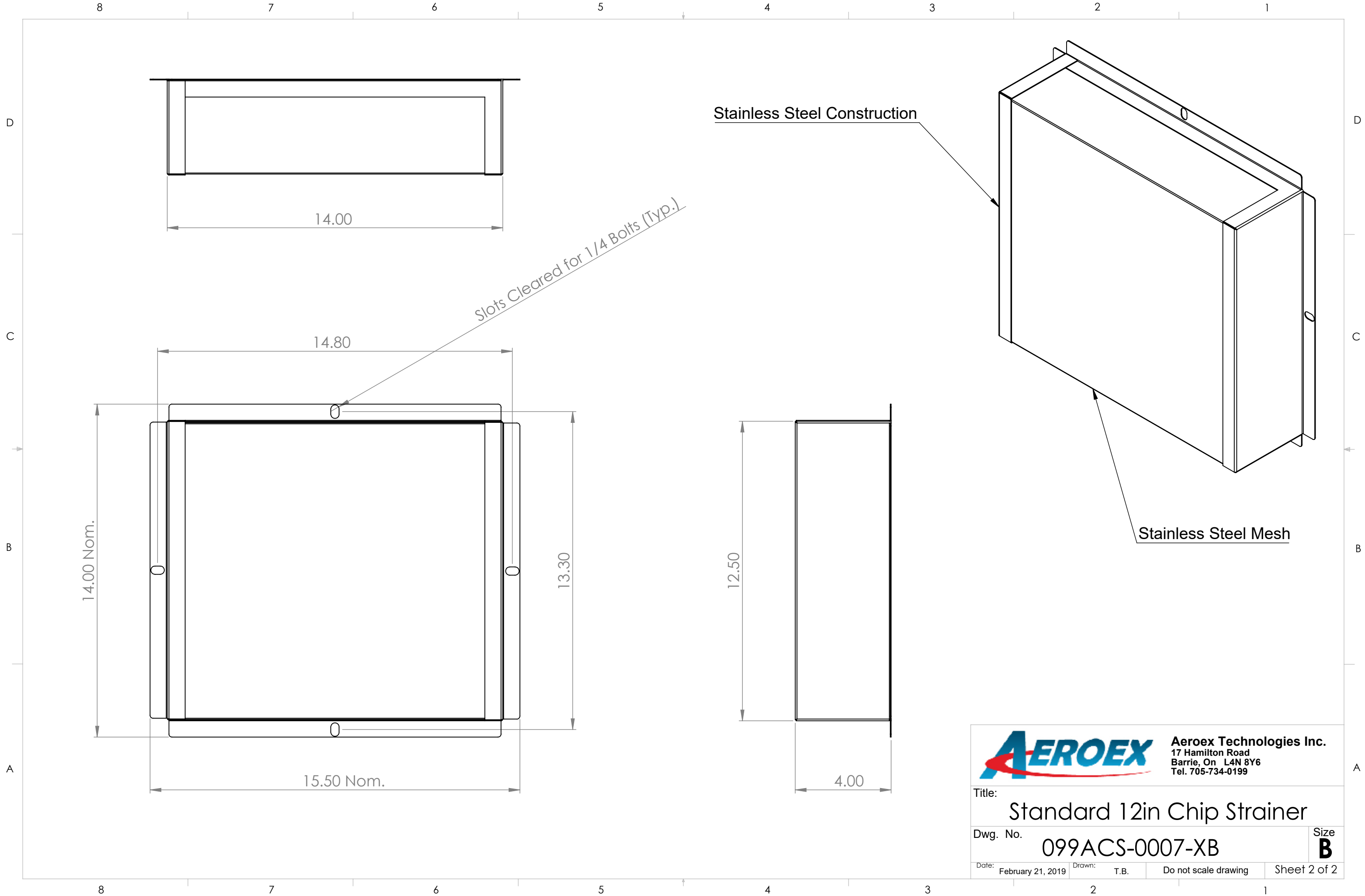
D  
C  
B  
A



8 7 6 5 4 3 2 1

		<b>Aeroex Technologies Inc.</b> 17 Hamilton Road Barrie, On L4N 8Y6 Tel. 705-734-0199	
Title: Machine Adaptor 12in			
Dwg. No. 099AMS-0012-XB		Size <b>B</b>	
Date: February 21, 2019	Drawn: T.B.	Do not scale drawing	Sheet 2 of 2

D  
C  
B  
A



		<b>Aeroex Technologies Inc.</b> 17 Hamilton Road Barrie, On L4N 8Y6 Tel. 705-734-0199	
Title: <b>Standard 12in Chip Strainer</b>			
Dwg. No. <b>099ACS-0007-XB</b>		Size <b>B</b>	
Date: February 21, 2019	Drawn: T.B.	Do not scale drawing	Sheet 2 of 2