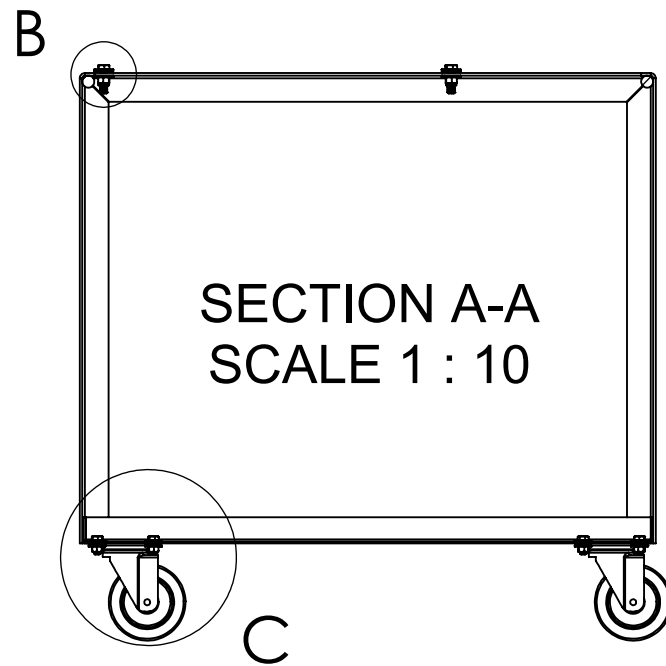
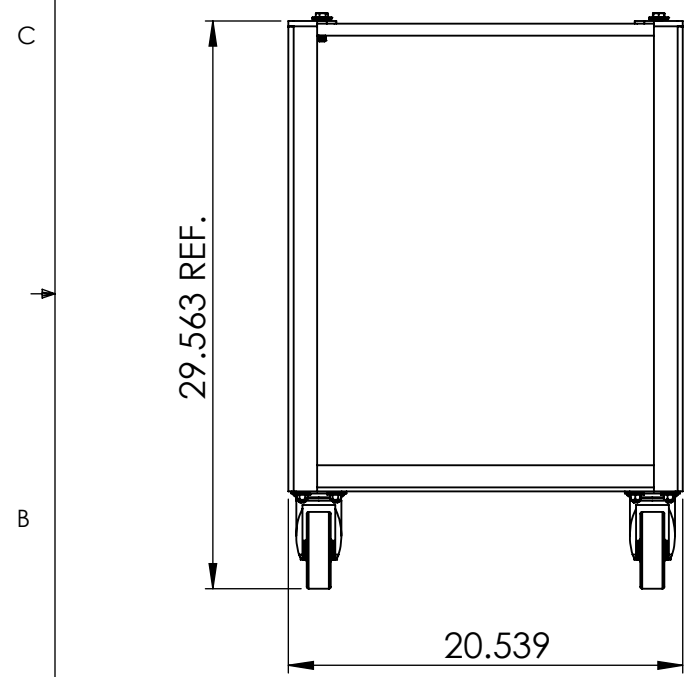
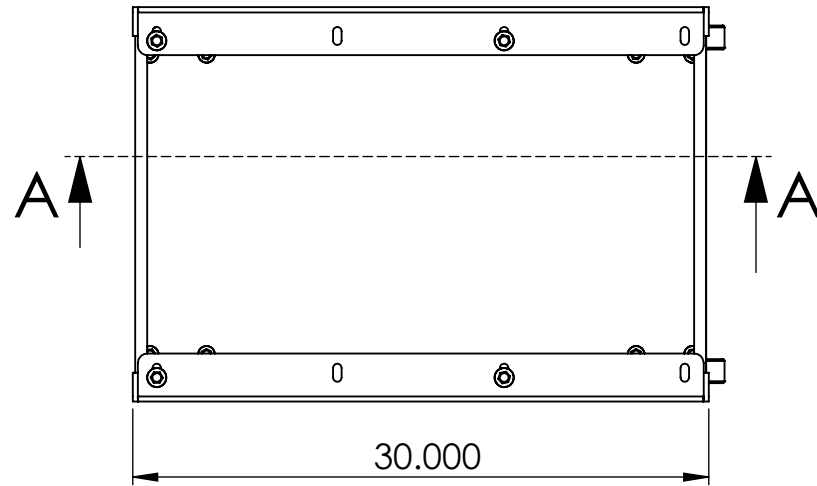
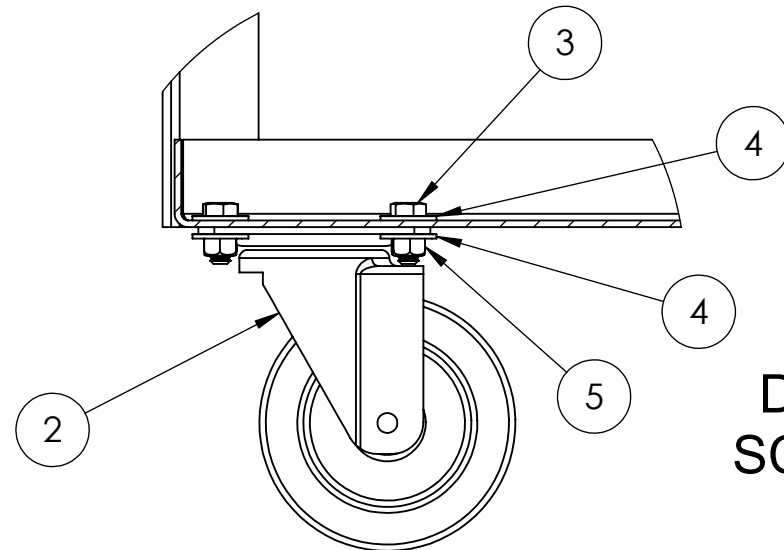
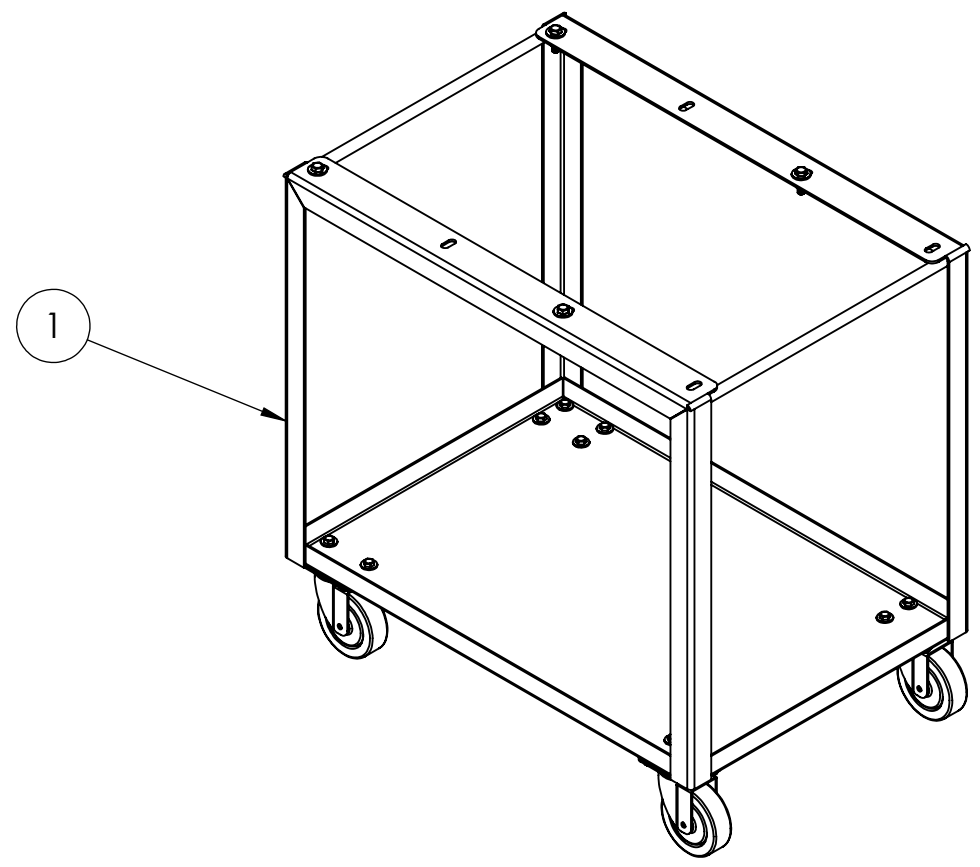


DETAIL B
SCALE 1 : 2



SECTION A-A
SCALE 1 : 10



DETAIL C
SCALE 1 : 3

ITEM NO.	PART NUMBER	DESCRIPTION	QTY.
1	A06SWP-0006-XC	Cart Welded ARO-600	1
2	Caster Wheel 9805 250lb		4
3	099MHB-0007	Hex Head Bolt 5/16-18 x 3/4"	16
4	099MHW-0009	Washer Flat 5/16"	32
5	099MHN-0008	Lock Nut Metal 5/16-18	16
6	099MHB-0013	3/8"-16 Hex Head Bolt x 1 1/4" Long	4
7	099MHW-0002	Washer Flat 3/8"	8
8	099MHN-0003	3/8"-16 Locknut Nylon Insert	4

UNLESS OTHERWISE SPECIFIED: DIMENSIONS ARE IN INCHES TOLERANCES: FRACTIONAL ±1/64" ANGULAR: MACH± BEND ±1 TWO PLACE DECIMAL ± 0.010 THREE PLACE DECIMAL ± 0.005	AEROEX Technologies Inc. 17 Hamilton Road Barrie, On L4N 8Y6 Tel. 705-734-0199		MATERIAL
	TITLE: Cart ARO-600		FINISH
PROPRIETARY AND CONFIDENTIAL THE INFORMATION CONTAINED IN THIS DRAWING IS THE SOLE PROPERTY OF AEROEX TECHNOLOGIES INC. ANY REPRODUCTION IN PART OR AS A WHOLE WITHOUT THE WRITTEN PERMISSION OF AEROEX TECHNOLOGIES INC. IS STRICTLY PROHIBITED.	DWG. NO. 099APC-0004-XC		WEIGHT:
	Date: April 11, 2017		SCALE: 1:20 DO NOT SCALE DRAWING
	SHEET 1 OF 1		SIZE B